

Chelsea® 560V Series

Rear Mount Hot Shift



Overview:

Chelsea leads the way in the development of a new rear mounted P.T.O. that features an integrated vane pump. The vane pump design is based on the Parker T6C family. Providing you with 3.4 to 31.7 GPM's of flow at 1200 R.P.M. Excellent pressure ranges up to 3500 PSI. The robust design of the 560V Series clutch pack provides you with a continuous duty torque rating of 335 Lbs. ft. Both the main P.T.O. housing and the suction and pressure ports on the pump can be rotated to provide you with maximum clearance. Chelsea continues to lead the way in innovative Power transfer concepts that provide you with ease of installation, power density and value for the vocational truck market.

- Dump Trucks
- Service Vehicles
- Tow and Recovery
- Truck Mounted Cranes

Contact Information:

Parker Hannifin Corporation
Chelsea Products Division
8225 Hacks Cross Road
Olive Branch, MS 38654 USA

Phone: 1-888-PH4-TRUK
(1-888-744-8785)

Fax: 1-662-895-1069
chelseacustserv@parker.com

www.parker.com/chelsea



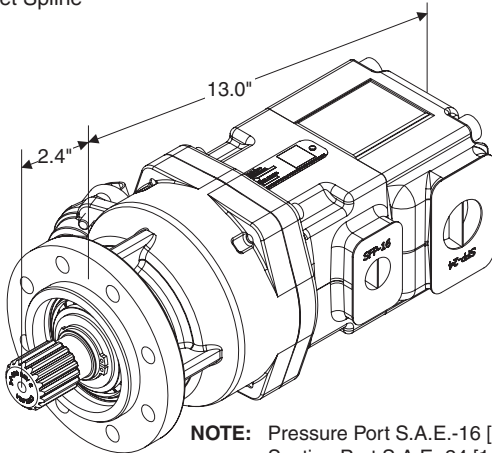
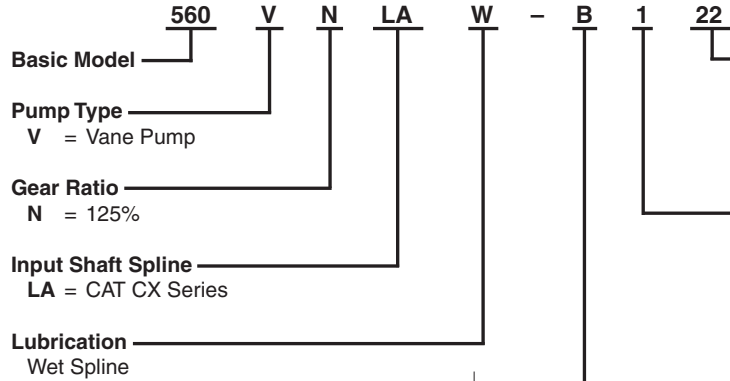
Product Features and Benefits:

- Wet Spline for Extended P.T.O. and Pump Shaft Life
- Single Continuous Duty Torque Rating
- Torque Rating of 335 Lbs. ft. (454 N.m.)
- Flow rates 3.4 to 31.7 GPM (12.9 119.9 LPM) at 1200 R.P.M.
- Pressure Ratings up to 3500 PSI (240 Bars)
- 12 or 24 Volt Electric Over Hydraulic Actuation
- Pressure and Suction Ports Rotatable for Best Clearance
- Weight 71 Lbs. No Pump Bracket Required
- Quiet Operation
- Patent Pending



ENGINEERING YOUR SUCCESS.

Model Number Designator



NOTE: Pressure Port S.A.E.-16 [1.0"] Code 62
Suction Port S.A.E.-24 [1-1/2"] Code 61

- Pump Size**
 17 = B17 Cartridge 3.56 in³/rev
 22 = B22 Cartridge 4.29 in³/rev
 25 = B25 Cartridge 4.84 in³/rev
 31 = B31 Cartridge 6.10 in³/rev
- Assembly Arrangement**
 1 = Pressure Port 180° to Valve - Suction Port Inline w/ Pressure Port (Standard Assembly)
 2 = Pressure Port 180° to Valve - Suction Port 90° CW from Pressure Port
 3 = Pressure Port 180° to Valve - Suction Port 180° CW from Pressure Port
 4 = Pressure Port 180° to Valve - Suction Port 270° CW from Pressure Port
 5 = Pressure Port Inline to Valve - Suction Port Inline to Valve
 6 = Pressure Port Inline to Valve - Suction Port 90° CW from Pressure Port
 7 = Pressure Port Inline to Valve - Suction Port 180° CW from Pressure Port
 8 = Pressure Port Inline to Valve - Suction Port 270° CW from Pressure Port
- CW** = Clock Wise Rotation When Viewed from the Rear
- Shifter Type**
 B = 12V Electric/Hydraulic
 D = 24V Electric/Hydraulic

MODEL CODE	DESCRIPTION	DISPLACEMENT in ³ /rev [ml/rev]	Flow (1) GPM [l/m]	Max Pressure PSI [Bar] (2)		Speed RPM (3)	
				Intermittent	Continuous	Minimum	Maximum
03	CARTRIDGE T6CM UNIT CCW S1	0.66 [10.8]	3.42 [12.9]	4000 [275]	3500 [240]	400	2800
05	CARTRIDGE T6CM UNIT CCW S1	1.05 [17.2]	5.45 [20.6]	4000 [275]	3500 [240]	400	2800
06	CARTRIDGE T6CM UNIT CCW S1	1.30 [21.3]	6.76 [25.6]	4000 [275]	3500 [240]	400	2800
08	CARTRIDGE T6CM UNIT CCW S1	1.61 [26.4]	8.36 [31.7]	4000 [275]	3500 [240]	400	2800
10	CARTRIDGE T6CM UNIT CCW S1	2.08 [34.1]	10.81 [41.0]	4000 [275]	3500 [240]	400	2800
12	CARTRIDGE T6CM UNIT CCW S1	2.26 [37.1]	11.76 [44.4]	4000 [275]	3500 [240]	400	2800
14	CARTRIDGE T6CM UNIT CCW S1	2.81 [46.0]	14.58 [55.3]	4000 [275]	3500 [240]	400	2800
17	CARTRIDGE T6CM UNIT CCW S1	3.56 [58.3]	18.48 [70.0]	4000 [275]	3500 [240]	400	2800
20	CARTRIDGE T6CM UNIT CCW S1	3.89 [63.8]	20.23 [76.5]	4000 [275]	3500 [240]	400	2800
22	CARTRIDGE T6CM UNIT CCW S1	4.29 [70.3]	22.28 [84.4]	4000 [275]	3500 [240]	400	2800
25	CARTRIDGE T6CM UNIT CCW S1	4.84 [79.3]	25.14 [95.2]	4000 [275]	3500 [240]	400	2500
28	CARTRIDGE T6CM UNIT CCW S1	5.42 [88.8]	27.90 [106.6]	3000 [210]	2300 [160]	400	2500
31	CARTRIDGE T6CM UNIT CCW S1	6.10 [100.0]	31.70 [119.9]	3000 [210]	2300 [160]	400	2500

Released • CCW = Counter Clockwise • S1 = Seal Class (Mineral Oil)

(1) Flow at 1200 R.P.M. pump speed, 960 R.P.M. engine and 0 PSI

(2) Pressures are stated for Antiwear Petroleum Base Only

(3) Based on Antiwear Petroleum or Non Antiwear Petroleum base. For Synthetic Fluids, Water in oil Emulsions or Water Glycols MAX R.P.M. is 1800.

Contact Chelsea for availability of other cartridge sizes.

