



## MD04 and MD06 Bankable Directional Control Valves

Service Parts

Bulletin HY14-2731-M1/US

aerospace  
climate control  
electromechanical  
filtration  
fluid & gas handling  
hydraulics  
pneumatics  
process control  
sealing & shielding



ENGINEERING YOUR SUCCESS.

**MD04 PDNA**

Parts Explosion Drawing ..... 1

Parts List ..... 1

Spool Chart ..... 1

Coils and Tubes ..... 1

**MD04 PDNB**

Parts Explosion Drawing ..... 2

Parts List ..... 2

Spool Chart ..... 2

Coils and Tubes ..... 2

**MD04 PDNC**

Parts Explosion Drawing ..... 3

Parts List ..... 3

Spool Chart ..... 3

Coils and Tubes ..... 3

**MD04 PDNH**

Parts Explosion Drawing ..... 4

Parts List ..... 4

Spool Chart ..... 4

Coils and Tubes ..... 4

**MD04 SDNC**

Parts Explosion Drawing ..... 5

Parts List ..... 5

Spool Chart ..... 5

Coils and Tubes ..... 5



**WARNING – USER RESPONSIBILITY**

FAILURE OR IMPROPER SELECTION OR IMPROPER USE OF THE PRODUCTS DESCRIBED HEREIN OR RELATED ITEMS CAN CAUSE DEATH, PERSONAL INJURY AND PROPERTY DAMAGE.

- This document and other information from Parker-Hannifin Corporation, its subsidiaries and authorized distributors provide product or system options for further investigation by users having technical expertise.
- The user, through its own analysis and testing, is solely responsible for making the final selection of the system and components and assuring that all performance, endurance, maintenance, safety and warning requirements of the application are met. The user must analyze all aspects of the application, follow applicable industry standards, and follow the information concerning the product in the current product catalog and in any other materials provided from Parker or its subsidiaries or authorized distributors.
- To the extent that Parker or its subsidiaries or authorized distributors provide component or system options based upon data or specifications provided by the user, the user is responsible for determining that such data and specifications are suitable and sufficient for all applications and reasonably foreseeable uses of the components or systems.

**OFFER OF SALE**

The items described in this document are hereby offered for sale by Parker-Hannifin Corporation, its subsidiaries or its authorized distributors. This offer and its acceptance are governed by the provisions stated in the detailed "Offer of Sale" elsewhere in this document or available at [www.parker.com/hydraulicvalve](http://www.parker.com/hydraulicvalve).

**SAFETY GUIDE**

For safety information, see Safety Guide SG HY14-1000 at [www.parker.com/safety](http://www.parker.com/safety) or call 1-800-CParker.

© Copyright 2008, Parker Hannifin Corporation, All Rights Reserved



**Contents**

**MD06 PDNA**

Parts Explosion Drawing .....6

Parts List .....6

Coils and Tubes .....6

**MD06 PDNB**

Parts Explosion Drawing .....7

Parts List .....7

Coils and Tubes .....7

**MD06 PDNC**

Parts Explosion Drawing .....8

Parts List .....8

Spool Chart .....8

Coils and Tubes .....8

**MD06 PDNH**

Parts Explosion Drawing .....9

Parts List .....9

Spool Chart .....9

Coils and Tubes .....9

**MD06 SDNC**

Parts Explosion Drawing .....10

Parts List .....10

Spool Chart .....10

Coils and Tubes .....10

**MD06 SDNH**

Parts Explosion Drawing .....11

Parts List .....11

Spool Chart .....11

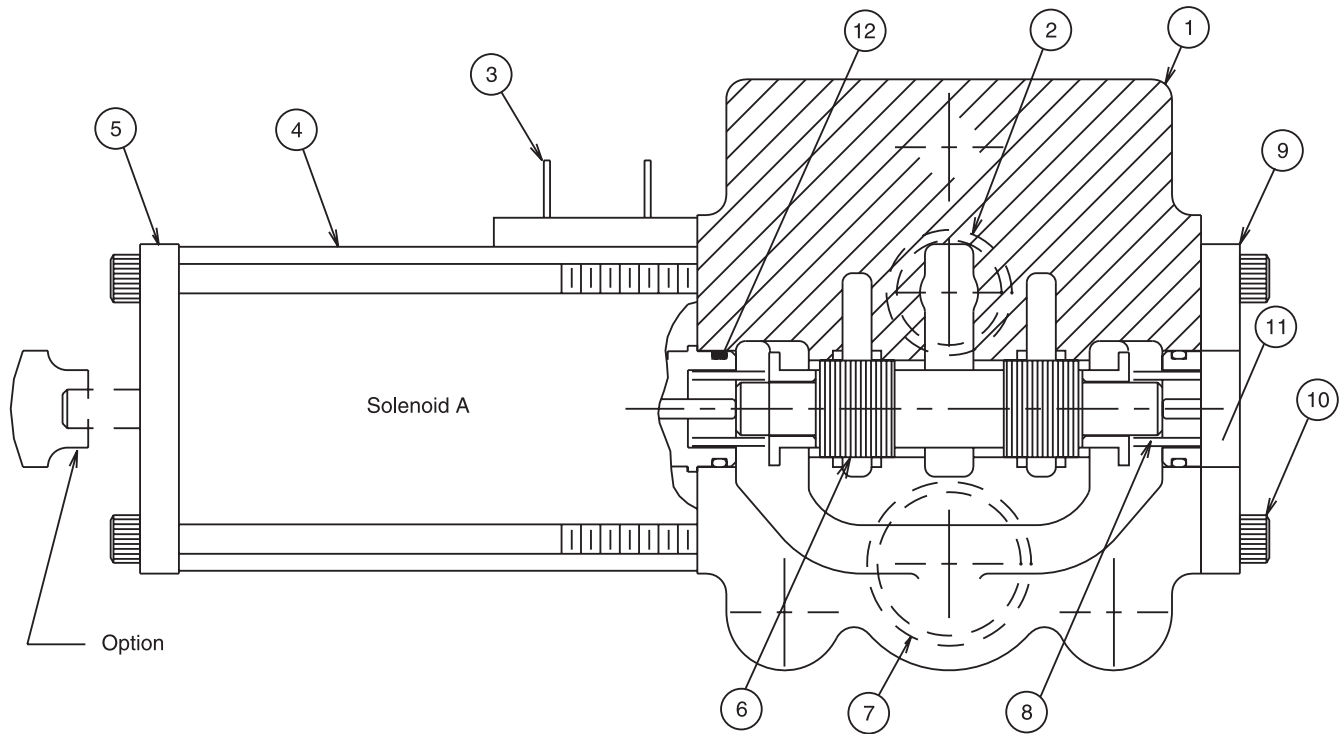
Coils and Tubes .....11

**MD04 and MD06 Tie Rod Kits** .....12

**Offer of Sale** .....II

**Safety Guide** .....II

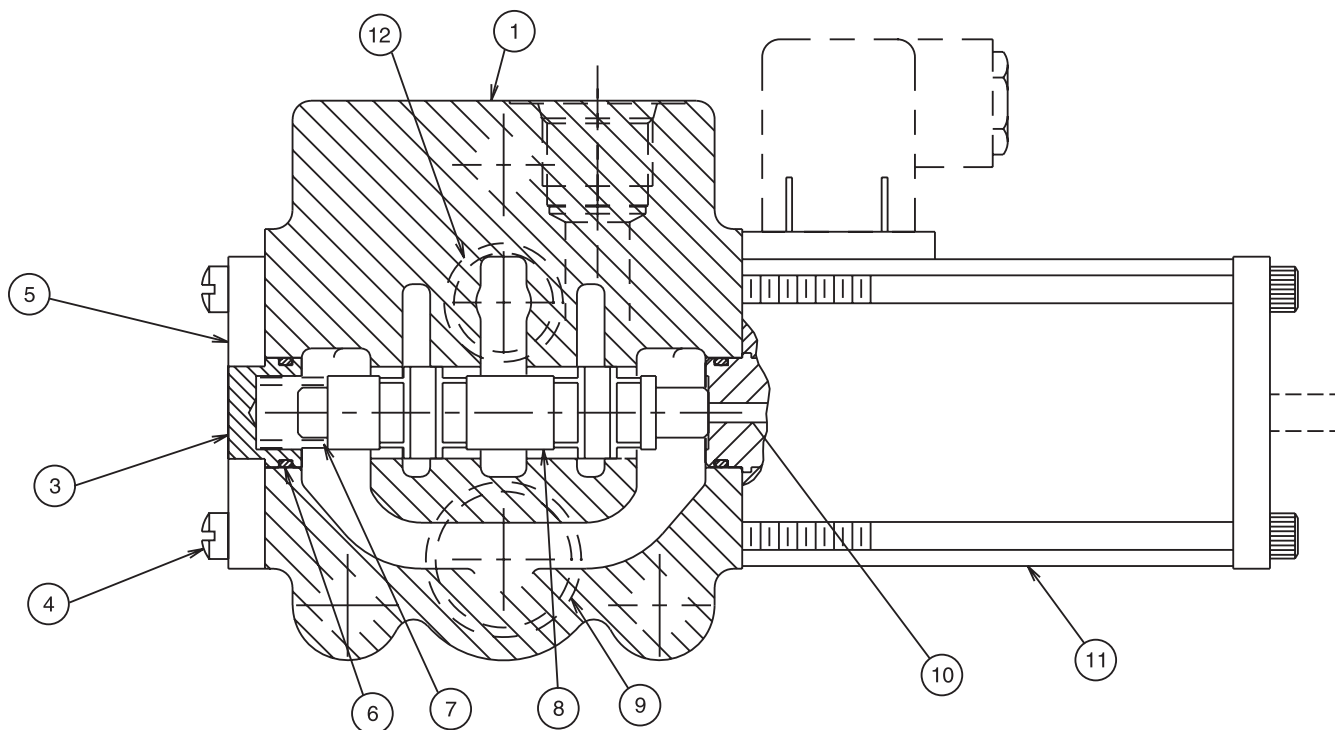




Parts			
Item	Quantity	Part Number	Description
1	1	-	Non-Serviceable Body
2	1	407342	Seal
3	1	See Chart	Solenoid Coil
4	1	See Chart	Solenoid Tube Assembly
6	1	See Chart	Spool
7	1	407347	Seal
8	1	493829	Spring
9	1	355415	End Plate
10	4	10X211	SH Cap Screw
11	1	355414	Plug
12	1	2016N-9	Seal - Tube

Spool Chart		
Part Number	Type	Description
355866	A	Closed Center
355713	M	Two Position, Four Way
355868	J	Motor Spool

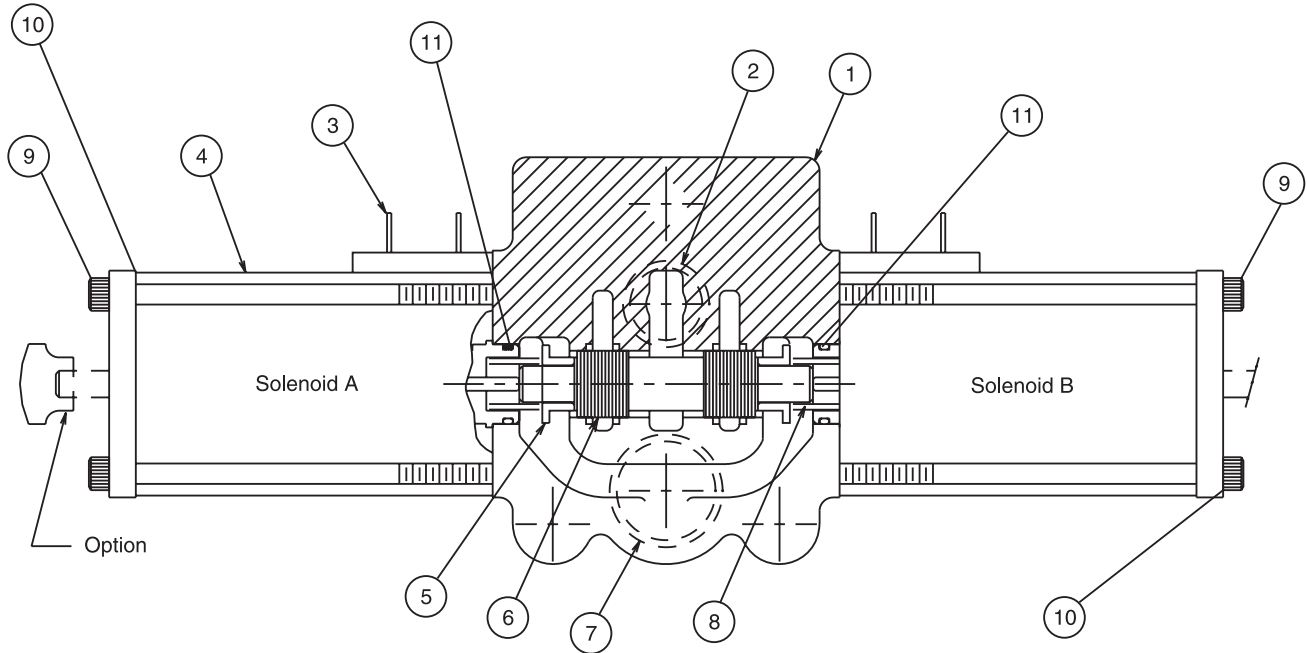
Solenoid Coil/Tube Assembly			
Code	Coil Part Number	Tube Part Number	Description
-12B	493482	708121	12 VDC Dual Spade/Flush Manual Override
-12C	493482	708121	12 VDC Dual Spade/Flush Manual Override with Ground Wire
-12D	494205	708121	12 VDC Dual Wire/Flush Manual Override
-12F	494098	708121	12 VDC DIN/Flush Manual Override
-12J	493482	707557	12 VDC Dual Spade/ Extended Manual Override
-12K	493482	707557	12 VDC Dual Spade/Extended Manual Override with Ground Wire
-12L	494204	707557	12 VDC Dual Wire/Extended Manual Override
-12N	494098	707557	12 VDC DIN/Extended Manual Override
-12R	493482	708222	12 VDC Dual Spade/Palm Button Override
-24B	493596	708061	24 VDC Dual Spade/Flush Manual Override
-24C	493596	708061	24 VDC Dual Spade/Flush Manual Override with Ground Wire
-24F	494145	708061	24 VDC DIN/Flush Manual Override
-24J	493596	707559	24 VDC Dual Spade/Extended Manual Override
-24K	493596	707559	24 VDC Dual Spade/Extended Manual Override with Ground Wire
-24N	494305	708222	24 VDC DIN/Extended Manual Override with Palm Button
-24R	493596	708222	24 VDC Dual Spade/Extended Manual Override with Palm Button
-115A	204025	708101	115 VAC DIN/Flush Manual Override (Coil requires a Rectifier - 204033)



Parts			
Item	Quantity	Part Number	Description
1	1	-	Non-Serviceable Body
2	-	-	
3	1	355414	Plug
4	4	10x211	Socket Head Cap Screw
5	1	355415	End Plate
6	1	2016N-9	O-ring -Tube
7	1	493829	Spring
8	1	See Chart	Spool
9	1	407347	Seal
10	1	See Chart	Solenoid Tube Assembly
11	1	See Chart	Solenoid Coil
12	1	407342	Seal

Spool Chart		
Part Number	Type	Description
355866	A	Closed Center
355713	M	Two Position, Four Way
355868	J	Motor Spool

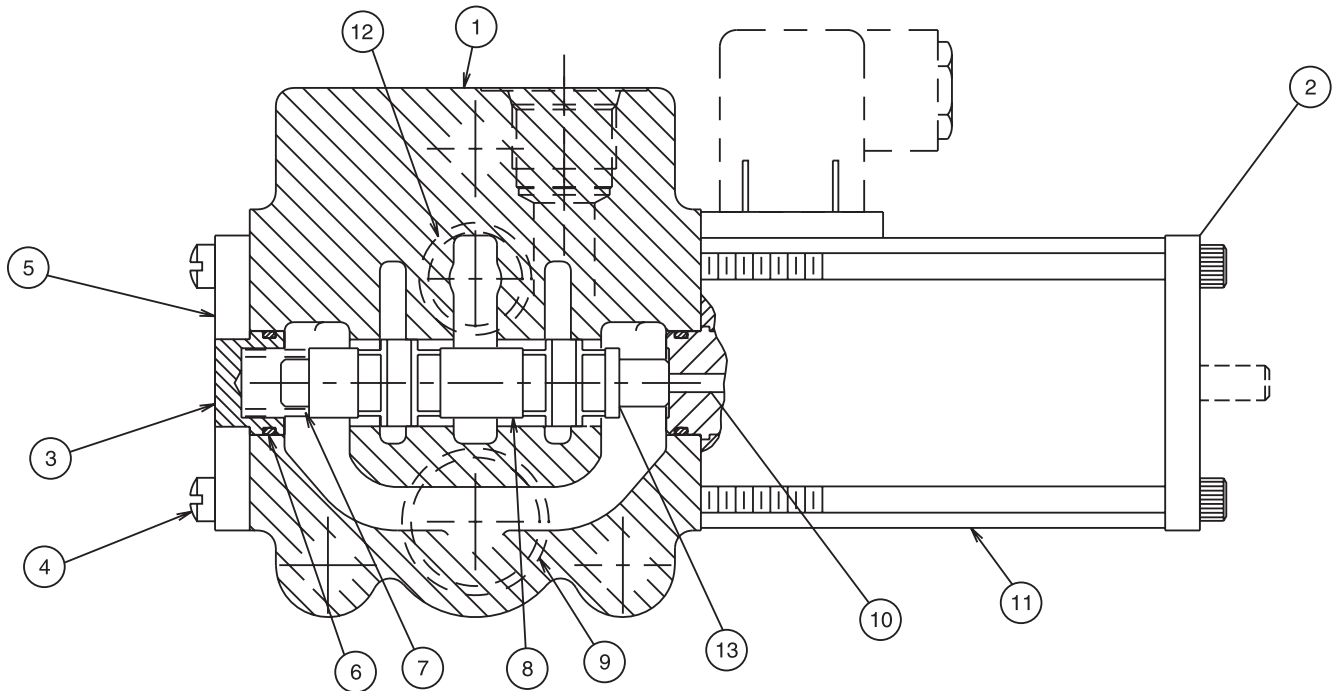
Solenoid Coil/Tube Assembly			
Code	Coil Part Number	Tube Part Number	Description
-12B	493482	708121	12 VDC Dual Spade/Flush Manual Override
-12C	493482	708121	12 VDC Dual Spade/Flush Manual Override with Ground Wire
-12D	494205	708121	12 VDC Dual Wire/Flush Manual Override
-12F	494098	708121	12 VDC DIN/Flush Manual Override
-12J	493482	707557	12 VDC Dual Spade/ Extended Manual Override
-12K	493482	707557	12 VDC Dual Spade/Extended Manual Override with Ground Wire
-12L	494204	707557	12 VDC Dual Wire/Extended Manual Override
-12N	494098	707557	12 VDC DIN/Extended Manual Override
-12R	493482	708222	12 VDC Dual Spade/Palm Button Override
-24B	493596	708061	24 VDC Dual Spade/Flush Manual Override
-24C	493596	708061	24 VDC Dual Spade/Flush Manual Override with Ground Wire
-24F	494145	708061	24 VDC DIN/Flush Manual Override
-24J	493596	707559	24 VDC Dual Spade/Extended Manual Override
-24K	493596	707559	24 VDC Dual Spade/Extended Manual Override with Ground Wire
-24N	494305	708222	24 VDC DIN/Extended Manual Override with Palm Button
-24R	493596	708222	24 VDC Dual Spade/Extended Manual Override with Palm Button
-115A	204025	708101	115 VAC DIN/Flush Manual Override (Coil requires a Rectifier - 204033)



Parts			
Item	Quantity	Part Number	Description
1	1	-	Non-Serviceable Body
2	2	See Chart	Solenoid Coil
3	2	See Chart	Solenoid Tube Assembly
4	2	493829	Spring
5	2	355841	Spring Seat
6	1	See Chart	Spool
7	1	407347	Seal
8	1	407342	Seal
9	4	493460	Socket Head Cap Screw
10	2	355292	End Plate
11	2	2016N-9	Seal - Tube

Spool Chart		
Part Number	Type	Description
355866	A	Closed Center
355713	M	Two Position, Four Way
355868	J	Motor Spool

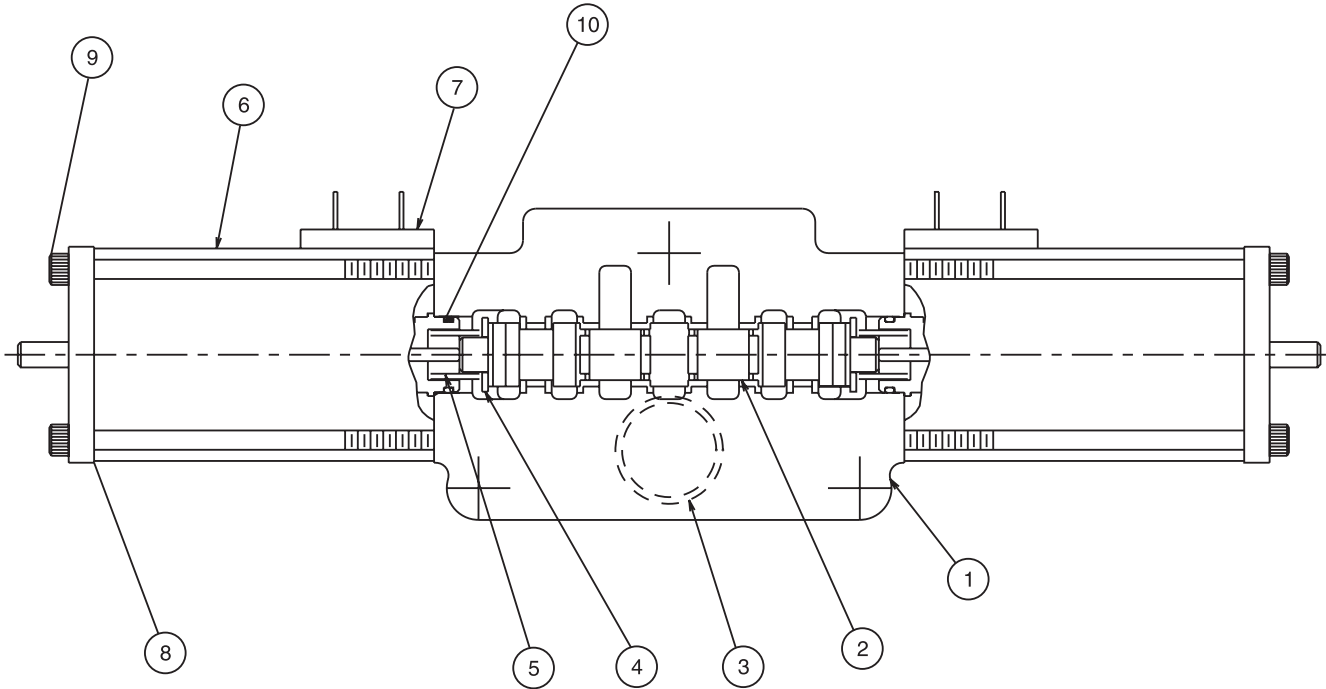
Solenoid Coil/Tube Assembly			
Code	Coil Part Number	Tube Part Number	Description
-12B	493482	708121	12 VDC Dual Spade/Flush Manual Override
-12C	493482	708121	12 VDC Dual Spade/Flush Manual Override with Ground Wire
-12D	494205	708121	12 VDC Dual Wire/Flush Manual Override
-12F	494098	708121	12 VDC DIN/Flush Manual Override
-12J	493482	707557	12 VDC Dual Spade/ Extended Manual Override
-12K	493482	707557	12 VDC Dual Spade/Extended Manual Override with Ground Wire
-12L	494204	707557	12 VDC Dual Wire/Extended Manual Override
-12N	494098	707557	12 VDC DIN/Extended Manual Override
-12R	493482	708222	12 VDC Dual Spade/Palm Button Override
-24B	493596	708061	24 VDC Dual Spade/Flush Manual Override
-24C	493596	708061	24 VDC Dual Spade/Flush Manual Override with Ground Wire
-24F	494145	708061	24 VDC DIN/Flush Manual Override
-24J	493596	707559	24 VDC Dual Spade/Extended Manual Override
-24K	493596	707559	24 VDC Dual Spade/Extended Manual Override with Ground Wire
-24N	494305	708222	24 VDC DIN/Extended Manual Override with with Palm Button
-24R	493596	708222	24 VDC Dual Spade/Extended Manual Override with with Palm Button
-115A	204025	708101	115 VAC DIN/Flush Manual Override (Coil requires a Rectifier - 204033)



Parts			
Item	Quantity	Part Number	Description
1	1	-	Non-Serviceable Body
2	1	355292	End Plate - Solenoid
3	1	355414	Plug
4	4	10X211	Socket Head Cap Screw
5	1	355415	End Plate
6	1	2016N-9	O-ring - Tube
7	2	493635	Spring
8	1	-	See Chart
9	1	407347	Seal
10	1	-	Solenoid Tube
11	1	-	Solenoid Coil
12	1	407342	Seal
13	2	355841	Spring Seat

Spool Chart		
Part Number	Type	Description
355866	A	Closed Center
355713	M	Two Position, Four Way
355868	J	Motor Spool

Solenoid Coil/Tube Assembly			
Code	Coil Part Number	Tube Part Number	Description
-12B	493482	708121	12 VDC Dual Spade/Flush Manual Override
-12C	493482	708121	12 VDC Dual Spade/Flush Manual Override with Ground Wire
-12D	494205	708121	12 VDC Dual Wire/Flush Manual Override
-12F	494098	708121	12 VDC DIN/Flush Manual Override
-12J	493482	707557	12 VDC Dual Spade/ Extended Manual Override
-12K	493482	707557	12 VDC Dual Spade/Extended Manual Override with Ground Wire
-12L	494204	707557	12 VDC Dual Wire/Extended Manual Override
-12N	494098	707557	12 VDC DIN/Extended Manual Override
-12R	493482	708222	12 VDC Dual Spade/Palm Button Override
-24B	493596	708061	24 VDC Dual Spade/Flush Manual Override
-24C	493596	708061	24 VDC Dual Spade/Flush Manual Override with Ground Wire
-24F	494145	708061	24 VDC DIN/Flush Manual Override
-24J	493596	707559	24 VDC Dual Spade/Extended Manual Override
-24K	493596	707559	24 VDC Dual Spade/Extended Manual Override with Ground Wire
-24N	494305	708222	24 VDC DIN/Extended Manual Override with Palm Button
-24R	493596	708222	24 VDC Dual Spade/Extended Manual Override with Palm Button
-115A	204025	708101	115 VAC DIN/Flush Manual Override (Coil requires a Rectifier - 204033)

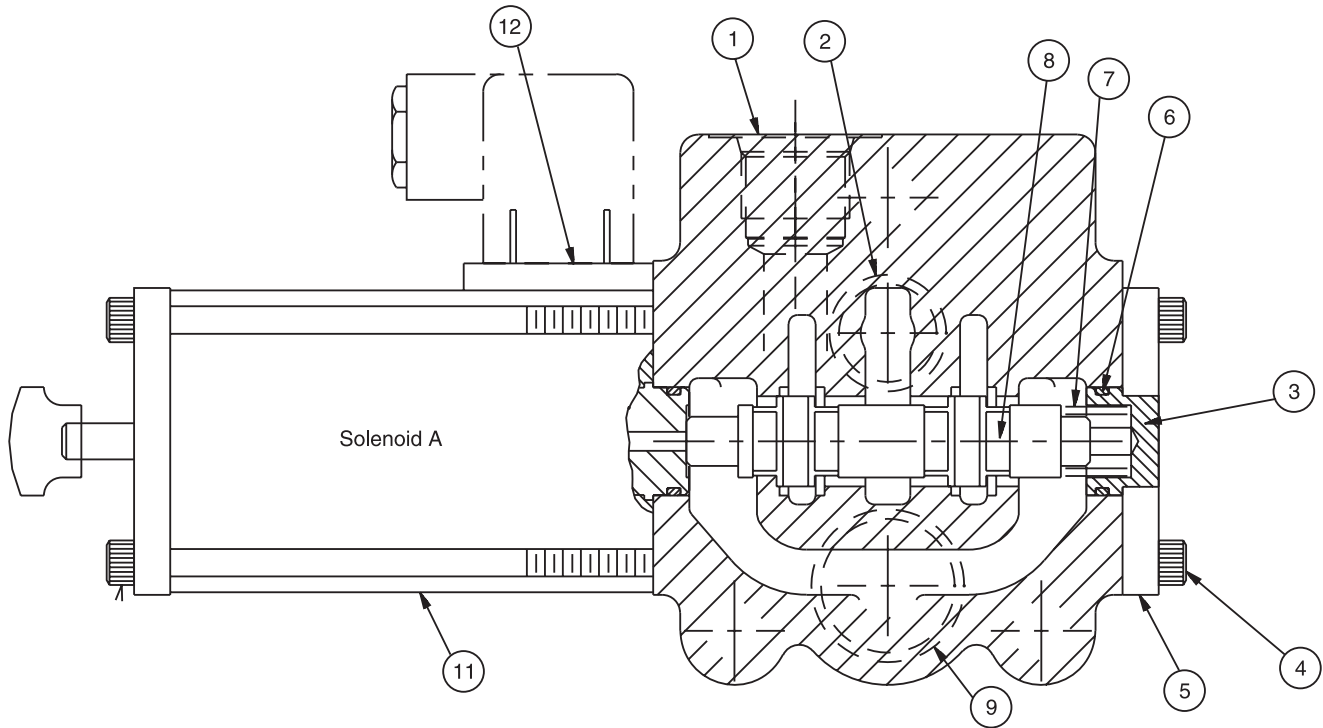


Parts			
Item	Quantity	Part Number	Description
1	1	-	Non-Serviceable Body
2	1	See Chart	Spool
3	1	407347	O-Ring
4	2	493526	Washer
5	2	493483	Spring
6	2	See Chart	Solenoid Tube Assembly
7	2	See Chart	Solenoid Coil
8	2	355292	End Plate
9	8	493459	Cap Screw
10	2	2016N-9	Seal - Tube

Spool Chart		
Part Number	Type	Description
355601	B	Open Center
355559	D	Tandem Center

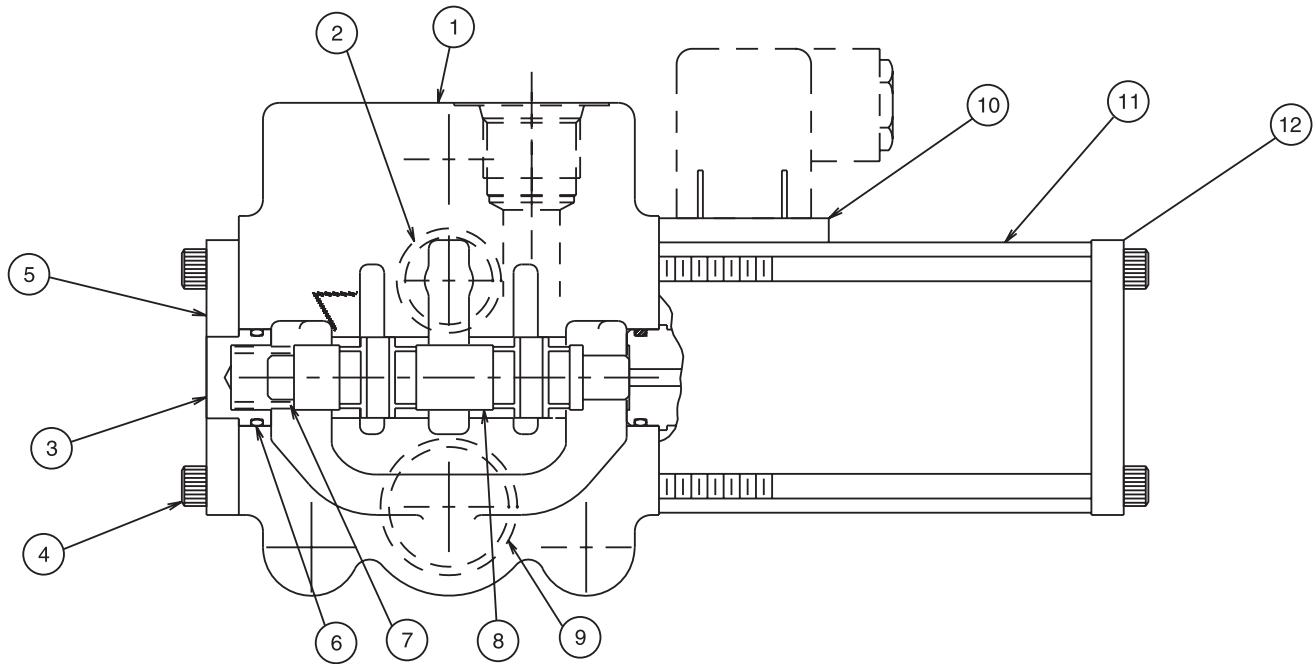
Solenoid Coil/Tube Assembly			
Code	Coil Part Number	Tube Part Number	Description
-12B	493482	708061	12 VDC Dual Spade/Flush Manual Override
-12C	493482	708061	12 VDC Dual Spade/Flush Manual Override with Ground Wire
-12D	494205	708061	12 VDC Dual Wire/Flush Manual Override
-12F	494208	708061	12 VDC DIN/Flush Manual Override
-12J	493482	707557	12 VDC Dual Spade/ Extended Manual Override
-12K	493482	707557	12 VDC Dual Spade/Extended Manual Override with Ground Wire
-12L	494204	707557	12 VDC Dual Wire/Extended Manual Override
-12N	494208	707557	12 VDC DIN/Extended Manual Override
-12R	493482	708222	12 VDC Dual Spade/Palm Button Override
-24B	493596	708061	24 VDC Dual Spade/Flush Manual Override
-24C	493596	708061	12 VDC Dual Spade/Flush Manual Override with Ground Wire
-24F	494145	708061	24 VDC DIN/Flush Manual Override
-24J	493596	707559	24 VDC Dual Spade/Extended Manual Override
-24K	493596	707559	24 VDC Dual Spade/Extended Manual Override with Ground Wire
-24N	494305	708222	24 VDC DIN/Extended Manual Override with Palm Button
-24R	493596	708222	24 VDC Dual Spade/Extended Manual Override with Palm Button
-115A	204025	708101	115 VAC DIN/Flush Manual Override (Coil requires a Rectifier - 204033)





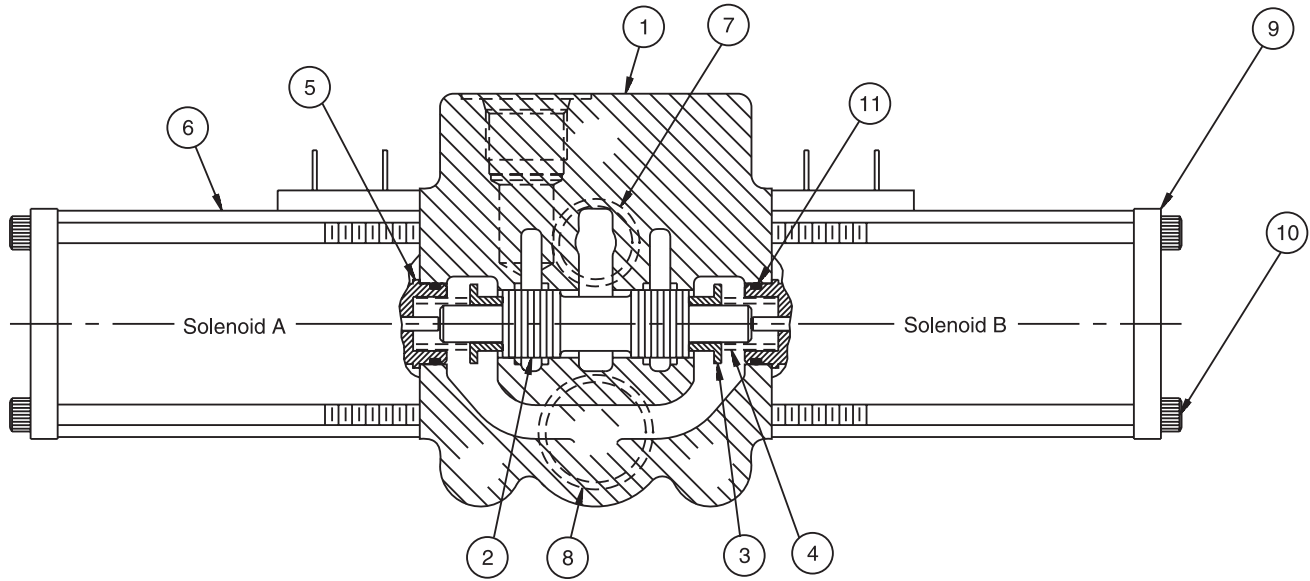
Parts			
Item	Quantity	Part Number	Description
1	1	-	Non-Serviceable Body
2	1	407342	Seal
3	1	355414	Plug
4	4	494327	Socket Head Cap Screw
5	1	355415	End Plate
6	1	2016N-9	Seal
7	1	493829	Spring
8	1	355713	Spool (Code M)
9	1	407347	Seal
10	1	355292	End Plate
11	1	See Chart	Solenoid Tube Assembly
12	1	See Chart	Solenoid Coil

Coil/Tube Assembly			
Code	Coil Part Number	Tube Part Number	Description
-12B	493419	708631	12 VDC Dual Spade/ Flush Manual Override
-12C	493419	708631	12 VDC Dual Spade/Flush Manual Override with Ground Wire
-12D	494297	708631	12 VDC Dual Wire/Flush Manual Override
-12F	494096	708631	12 VDC DIN/Flush Manual Override
-12J	493419	708630	12 VDC Dual Spade/Extended Manual Override
-12K	493419	708630	12 VDC Dual Spade/Extended Manual Override with Ground Wire
-12L	494297	708630	12 VDC Dual Wire/Extended Manual Override
-12N	494096	708630	12 VDC DIN/Extended Manual Override
-12R	493419	708641	12 VDC Dual Spade/Palm Button Override
-24B	493420	708631	24 VDC Dual Spade/Flush Manual Override
-24C	493420	708631	24 VDC Dual Spade/Flush Manual Override with Ground Wire
-24D	494307	708631	24 VDC Dual Wire/Flush Manual Override
-24F	494091	708631	24 VDC DIN/Flush Manual Override
-24J	493420	708630	24 VDC Dual Spade/Extended Manual Override
-24K	493420	708630	24 VDC Dual Spade/Extended Manual Override with Ground Wire
-24N	494091	707720	24 VDC DIN/Extended Manual Override with Palm Button
-115A	707097	708631	115 VAC DIN/Flush Manual Override (Coil Includes Rectifier)



Parts			
Item	Quantity	Part Number	Description
1	1	-	Non-Serviceable Body
2	1	407342	Seal
3	1	355414	Plug
4	4	494327	Socket Head Cap Screw
5	1	355415	End Plate
6	1	2016N-9	Seal
7	1	493829	Spring
8	1	355713	Spool (Code M)
9	1	407347	Seal
10	1	See Chart	Solenoid Tube Assembly
11	1	See Chart	Solenoid Coil
12	1	355292	End Plate

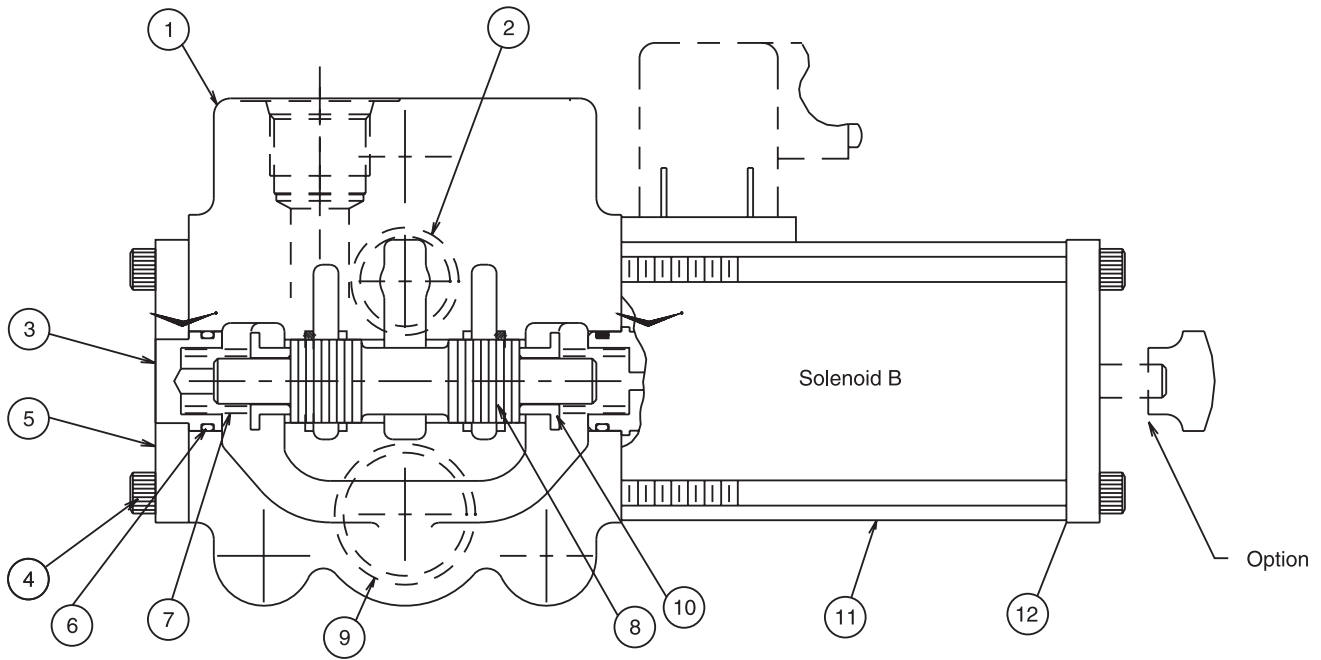
Coil/Tube Assembly			
Code	Coil Part Number	Tube Part Number	Description
-12B	493419	708631	12 VDC Dual Spade/Flush Manual Override
-12C	493419	708631	12 VDC Dual Spade/Flush Manual Override with Ground Wire
-12D	494297	708631	12 VDC Dual Wire/Flush Manual Override
-12F	494096	708631	12 VDC DIN/Flush Manual Override
-12J	493419	708630	12 VDC Dual Spade/Extended Manual Override
-12K	493419	708630	12 VDC Dual Spade/Extended Manual Override with Ground Wire
-12L	494297	708630	12 VDC Dual Wire/Extended Manual Override
-12N	494096	708630	12 VDC DIN/Extended Manual Override
-12R	493419	708641	12 VDC Dual Spade/Palm Button Override
-24B	493420	708631	24 VDC Dual Spade/Flush Manual Override
-24C	493420	708631	24 VDC Dual Spade/Flush Manual Override with Ground Wire
-24D	494307	708631	24 VDC Dual Wire/Flush Manual Override
-24F	494091	708631	24 VDC DIN/Flush Manual Override
-24J	493420	708630	24 VDC Dual Spade/Extended Manual Override
-24K	493420	708630	24 VDC Dual Spade/Extended Manual Override with Ground Wire
-24N	494091	707720	24 VDC DIN/Extended Manual Override with Palm Button
-115A	707097	708370	115 VAC DIN/Flush Manual Override (Coil Includes Rectifier)



Parts			
Item	Quantity	Part Number	Description
1	1	-	Non-Serviceable Body
2	1	See Chart	Spool
3	2	355841	Spring, Seat
4	2	493635	Spring
4	2	493483	Spring with W Spool (355897)
5	2	See Chart	Solenoid Tube Assembly
6	2	See Chart	Solenoid Coil
7	1	407342	O-Ring
8	1	407347	O-Ring
9	2	355292	End Plate
10	4	493460	Socket Head Cap Screw
11	2	2016N-9	Tube Seal

Spool Chart		
Part Number	Type	Description
355865	A	Cylinder Spool - Closed Center
355870	B	Cylinder Spool - Open Center
355840	J	Motor Spool
355897	W	Bleeder Spool

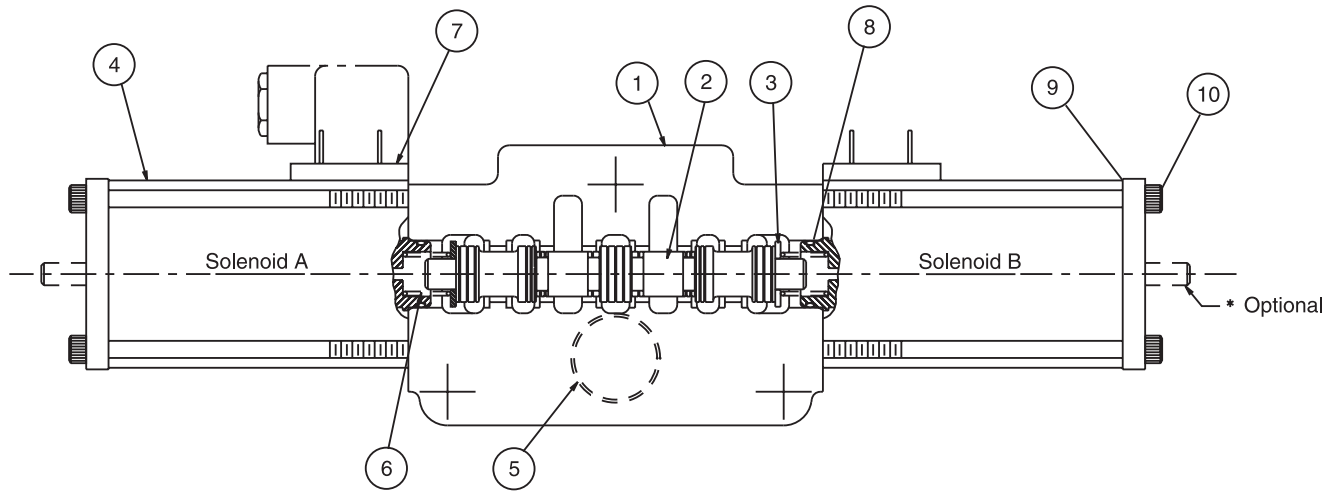
Solenoid Coil/Tube Assembly			
Code	Coil Part Number	Tube Part Number	Description
-12B	493419	708631	12 VDC Dual Spade/Flush Manual Override
-12C	493419	708631	12 VDC Dual Spade/Flush Manual Override with Ground Wire
-12D	494297	708631	12 VDC Dual Wire/Flush Manual Override
-12F	494096	708631	12 VDC DIN/Flush Manual Override
-12J	493419	708630	12 VDC Dual Spade/Extended Manual Override
-12K	493419	708630	12 VDC Dual Spade/Extended Manual Override with Ground Wire
-12L	494297	708630	12 VDC Dual Wire/Extended Manual Override
-12N	494096	708630	12 VDC DIN/Extended Manual Override
-12R	493419	708641	12 VDC Dual Spade/Palm Button Override
-24B	493420	708631	24 VDC Dual Spade/Flush Manual Override
-24C	493420	708631	24 VDC Dual Spade/Flush Manual Override with Ground Wire
-24D	494307	708631	24 VDC Dual Wire/Flush Manual Override
-24F	494091	708631	24 VDC DIN/Flush Manual Override
-24J	493420	708630	24 VDC Dual Spade/Extended Manual Override
-24K	493420	708630	24 VDC Dual Spade/Extended Manual Override with Ground Wire
-24N	494091	707720	24 VDC DIN/Extended Manual Override with Palm Button
-115A	707097	708370	115 VAC DIN/Flush Manual Override (Coil Includes Rectifier)



Parts			
Item	Quantity	Part Number	Description
1	1	-	Non-Serviceable Body
2	1	407342	O-Ring
3	1	355414	Plug
4	4	494327	Socket Head Cap Screw
5	1	355415	End Plate
6	1	2016N-9	O-Ring
7	2	493635	Spring
8	1	See Chart	Spool
9	1	407347	O-Ring
10	2	355841	Spring, Seat
11	1	See Chart	Solenoid Coil/Tube Assembly
12	1	355292	End Plate

Spool Chart		
Part Number	Type	Description
355865	A	Cylinder Spool - Closed Center
355870	B	Cylinder Spool - Open Center
355840	J	Motor Spool

Solenoid Coil/Tube Assembly			
Code	Coil Part Number	Tube Part Number	Description
-12B	493419	708631	12 VDC Dual Spade/Flush Manual Override
-12C	493419	708631	12 VDC Dual Spade/Flush Manual Override with Ground Wire
-12D	494297	708631	12 VDC Dual Wire/Flush Manual Override
-12F	494096	708631	12 VDC DIN/Flush Manual Override
-12J	493419	708630	12 VDC Dual Spade/Extended Manual Override
-12K	493419	708630	12 VDC Dual Spade/Extended Manual Override with Ground Wire
-12L	494297	708630	12 VDC Dual Wire/Extended Manual Override
-12N	494096	708630	12 VDC DIN/Extended Manual Override
-12R	493419	708641	12 VDC Dual Spade/Palm Button Override
-24B	493420	708631	24 VDC Dual Spade/Flush Manual Override
-24C	493420	708631	24 VDC Dual Spade/Flush Manual Override with Ground Wire
-24D	494307	708631	24 VDC Dual Wire/Flush Manual Override
-24F	494091	708631	24 VDC DIN/Flush Manual Override
-24J	493420	708630	24 VDC Dual Spade/Extended Manual Override
-24K	493420	708630	24 VDC Dual Spade/Extended Manual Override with Ground Wire
-24N	494091	707720	24 VDC DIN/Extended Manual Override with Palm Button
-115A	707097	708370	115 VAC DIN/Flush Manual Override (Coil Includes Rectifier)

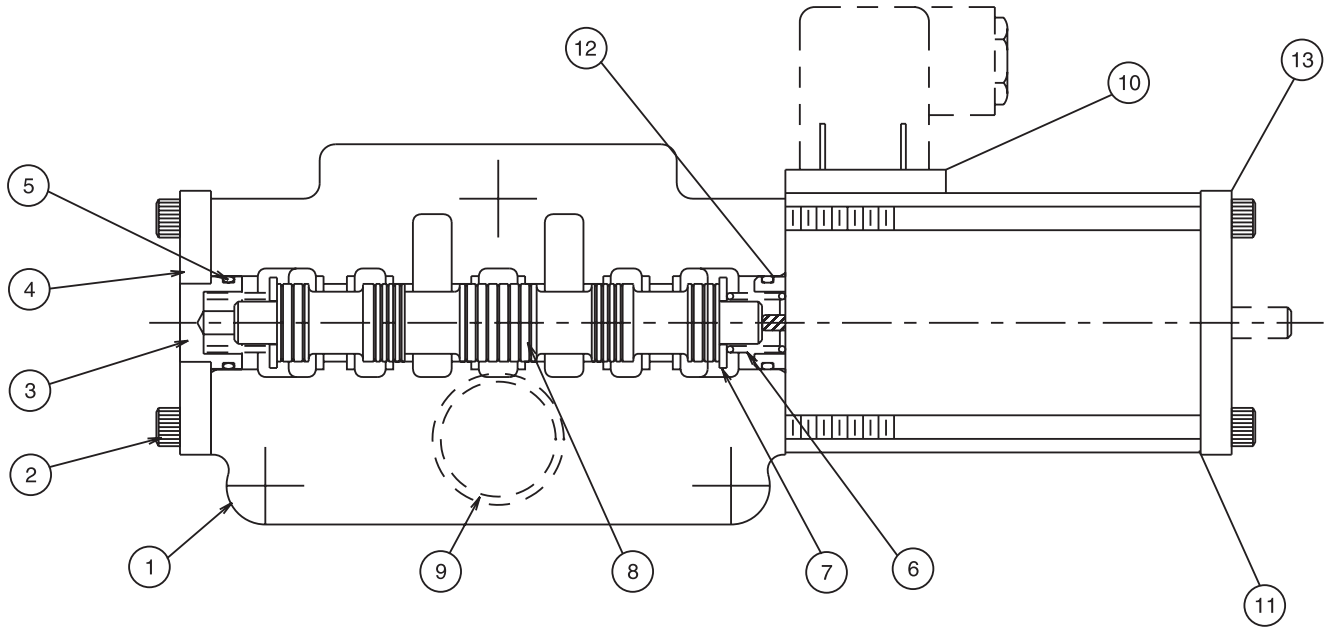


Parts			
Item	Quantity	Part Number	Description
1	1	-	Non-Serviceable Body
2	1	See Chart	Spool
3	2	493526	Washer
4	2	See Chart	Solenoid Tube
5	1	407347	O-Ring
6	2	493483	Spring
7	2	See Chart	Solenoid Coil
8	2	2016N-9	Tube Seal
9	2	355292	End Plate
10	8	493460	Socket Head Cap Screw

Spool Chart		
Part Number	Type	Description
355535	B	Open Center
355492	D	Tandem Center

Solenoid Coil/Tube Assembly			
Code	Coil Part Number	Tube Part Number	Description
-12B	493419	708631	12 VDC Dual Spade/Flush Manual Override
-12C	493419	708631	12 VDC Dual Spade/Flush Manual Override with Ground Wire
-12D	494297	708631	12 VDC Dual Wire/Flush Manual Override
-12F	494096	708631	12 VDC DIN/Flush Manual Override
-12J	493419	708630	12 VDC Dual Spade/Extended Manual Override
-12K	493419	708630	12 VDC Dual Spade/Extended Manual Override with Ground Wire
-12L	494297	708630	12 VDC Dual Wire/Extended Manual Override
-12N	494096	708630	12 VDC DIN/Extended Manual Override
-12R	493419	708641	12 VDC Dual Spade/Palm Button Override
-24B	493420	708631	24 VDC Dual Spade/Flush Manual Override
-24C	493420	708631	24 VDC Dual Spade/Flush Manual Override with Ground Wire
-24D	494307	708631	24 VDC Dual Wire/Flush Manual Override
-24F	494091	708631	24 VDC DIN/Flush Manual Override
-24J	493420	708630	24 VDC Dual Spade/Extended Manual Override
-24K	493420	708630	24 VDC Dual Spade/Extended Manual Override with Ground Wire
-24N	494091	707720	24 VDC DIN/Extended Manual Override with Palm Button
-115A	707097	708370	115 VAC DIN/Flush Manual Override (Coil Includes Rectifier)

Bul HY14-2731-M1.indd, dd



Parts			
Item	Quantity	Part Number	Description
1	1	-	Non-Serviceable Body
2	4	494327	Socket Head Cap Screw
3	1	355414	Plug
4	1	355415	End Plate
5	1	408870	O-Ring
6	2	493483	Spring
7	2	493526	Washer
8	1	See Chart	Spool
9	2	407347	O-Ring
10	1	See Chart	Solenoid Coil
11	1	See Chart	Solenoid Tube
12	1	2016N-9	Seal - Tube
13	1	355292	End Plate

Spool Chart		
Part Number	Type	Description
355535	B	Open Center
355492	D	Tandem Center

Solenoid Coil/Tube Assembly			
Code	Coil Part Number	Tube Part Number	Description
-12B	493419	708631	12 VDC Dual Spade/Flush Manual Override
-12C	493419	708631	12 VDC Dual Spade/Flush Manual Override with Ground Wire
-12D	494297	708631	12 VDC Dual Wire/Flush Manual Override
-12F	494096	708631	12 VDC DIN/Flush Manual Override
-12J	493419	708630	12 VDC Dual Spade/Extended Manual Override
-12K	493419	708630	12 VDC Dual Spade/Extended Manual Override with Ground Wire
-12L	494297	708630	12 VDC Dual Wire/Extended Manual Override
-12N	494096	708630	12 VDC DIN/Extended Manual Override
-12R	493419	708641	12 VDC Dual Spade/Palm Button Override
-24B	493420	708631	24 VDC Dual Spade/Flush Manual Override
-24C	493420	708631	24 VDC Dual Spade/Flush Manual Override with Ground Wire
-24D	494307	708631	24 VDC Dual Wire/Flush Manual Override
-24F	494091	708631	24 VDC DIN/Flush Manual Override
-24J	493420	708630	24 VDC Dual Spade/Extended Manual Override
-24K	493420	708630	24 VDC Dual Spade/Extended Manual Override with Ground Wire
-24N	494091	707720	24 VDC DIN/Extended Manual Override with Palm Button
-115A	707097	708370	115 VAC DIN/Flush Manual Override (Coil Includes Rectifier)

MD04/MD06 Tie Rod Kits			
Part Number	Where Used	Number of Sections	Description
708162	MD04/MD06	1	Series Valve with or without Relief
708163	MD04/MD06	2	Series Valve with Relief
708164	MD04/MD06	3	Series Valve with Relief
708155	MD04/MD06	4	Series Valve with Relief
708156	MD04/MD06	5	Series Valve with Relief
707871	MD04/MD06	1	Series Valve without Relief
707872	MD04/MD06	2	Series Valve without Relief
707873	MD04/MD06	3	Series Valve without Relief
707874	MD04/MD06	4	Series Valve without Relief
707875	MD04/MD06	5	Series Valve without Relief
707671	MD04/MD06	1	Parallel Valve without Relief
707672	MD04/MD06	1	Parallel Valve with Relief
707672	MD04/MD06	2	Parallel Valve without Relief
707673	MD04/MD06	2	Parallel Valve with Relief
707673	MD04/MD06	3	Parallel Valve without Relief
707674	MD04/MD06	3	Parallel Valve with Relief
707674	MD04/MD06	4	Parallel Valve without Relief
707675	MD04/MD06	4	Parallel Valve with Relief
707675	MD04/MD06	5	Parallel Valve without Relief
707676	MD04/MD06	5	Parallel Valve with Relief

# Parker Hydraulics International Sales Offices

## North America

### Hydraulics Group Headquarters

6035 Parkland Boulevard  
Cleveland, OH 44124-4141 USA  
Tel: 216-896-3000  
Fax: 216-896-4031

### Parker Hannifin Canada

#### Motion & Control Division – Milton

160 Chisholm Drive Milton  
Ontario Canada L9T 3G9  
Tel: 905-693-3000  
Fax: 905-876-1958

## Mexico

### Parker Hannifin de México

Av eje uno norte num 100  
Parque Industrial Toluca 2000  
Toluca, Mex C.P. 50100  
Tel: 52 722 2754200  
Fax: 52 722 2799308

## Europe

### Europe Hydraulics Group

#### Parker Hannifin Corporation

Parker House  
55 Maylands Avenue  
Hemel Hempstead, Herts  
HP2 4SJ England  
Tel: 44 1442 458000  
Fax: 44 1442 458085

## Latin America

### Brazil

#### Hydraulics Division

Parker Hannifin Ind. e Com. Ltda  
Av. Frederico Ritter, 1100  
Cachoeirinha RS, 94930-000 Brazil  
Tel: 55 51 3470 9144  
Fax: 55 51 3470 3100

## Mobile Sales

### Mobile Sales Organization and Global Sales

595 Schelter Road  
Suite 100  
Lincolnshire, IL 60069 USA  
Tel: 847-821-1500  
Fax: 847-821-7600

## Industrial Sales

### Great Lakes Region

3700 Embassy Parkway  
Suite 260  
Fairlawn, OH 44333 USA  
Tel: 330-670-2680  
Fax: 330-670-2681

### Southern Region

1225 Old Alpharetta Road  
Suite 290  
Alpharetta, GA 30005 USA  
Tel: 770-619-9767  
Fax: 770-619-9806

### Chicago Region

1163 E. Ogden Avenue  
Suite 705, #358  
Naperville, IL 60563 USA  
Tel: 630-964-0796  
Fax: 866-473-9274

### Pacific Region

8460 Kass Drive  
Buena Park, CA 90621  
Tel: 714-228-2510  
Fax: 714-228-2511

### Eastern Region

100 Corporate Drive  
Lebanon, NJ 08833 USA  
Tel: 908-236-4121  
Fax: 908-236-4146

## Asia Pacific

### Asia Pacific Headquarters

#### Parker Hannifin Hong Kong Ltd

8/F, Kin Yip Plaza  
9 Cheung Yee Street  
HK-Cheung Sha Wan, Hong Kong  
Tel: 852 2428 8008  
Fax: 852 2425 6896

### Australia Headquarters

#### Parker Hannifin Pty Ltd.

9 Carrington Road  
Castle Hill, NSW 2154, Australia  
Tel: 612 9634 7777  
Fax: 612 9842 5111

### China Headquarters

#### Parker Hannifin Motion & Control (Shanghai) Co., Ltd

280 Yunqiao Road,  
Jin Qiao Export Processing Zone  
CN-Shanghai 201206, China  
Tel: 86 21 5031 2525  
Fax: 86 21 5834 3714

### Korea Headquarters

#### Parker Hannifin Korea Ltd

6F Daehwa Plaza  
169 Samsung-dong, Gangnam-gu  
KR-Seoul, 135-090, Korea  
Tel: 82 2 559 0400  
Fax: 82 2 556 8187

## South Africa

### Parker Hannifin Africa Pty Ltd

#### Parker Place

10 Berne Avenue Aeroport  
P.O. Box 1153  
ZA-Kempton Park 1620,  
Republic of South Africa  
Tel: 27 11 961 0700  
Fax: 27 11 392 7213



Parker Hannifin Corporation  
**Hydraulic Valve Division**  
520 Ternes Avenue  
Elyria, Ohio 44035 USA  
Tel: 440 366 5200  
Fax: 440 366 5253  
[www.parker.com/hydraulicvalve](http://www.parker.com/hydraulicvalve)

Bulletin HY14-2731-M1, 2/08

Your Local Authorized Parker Distributor