



Hydraulic Valve Drawings

Truck Wetline Systems

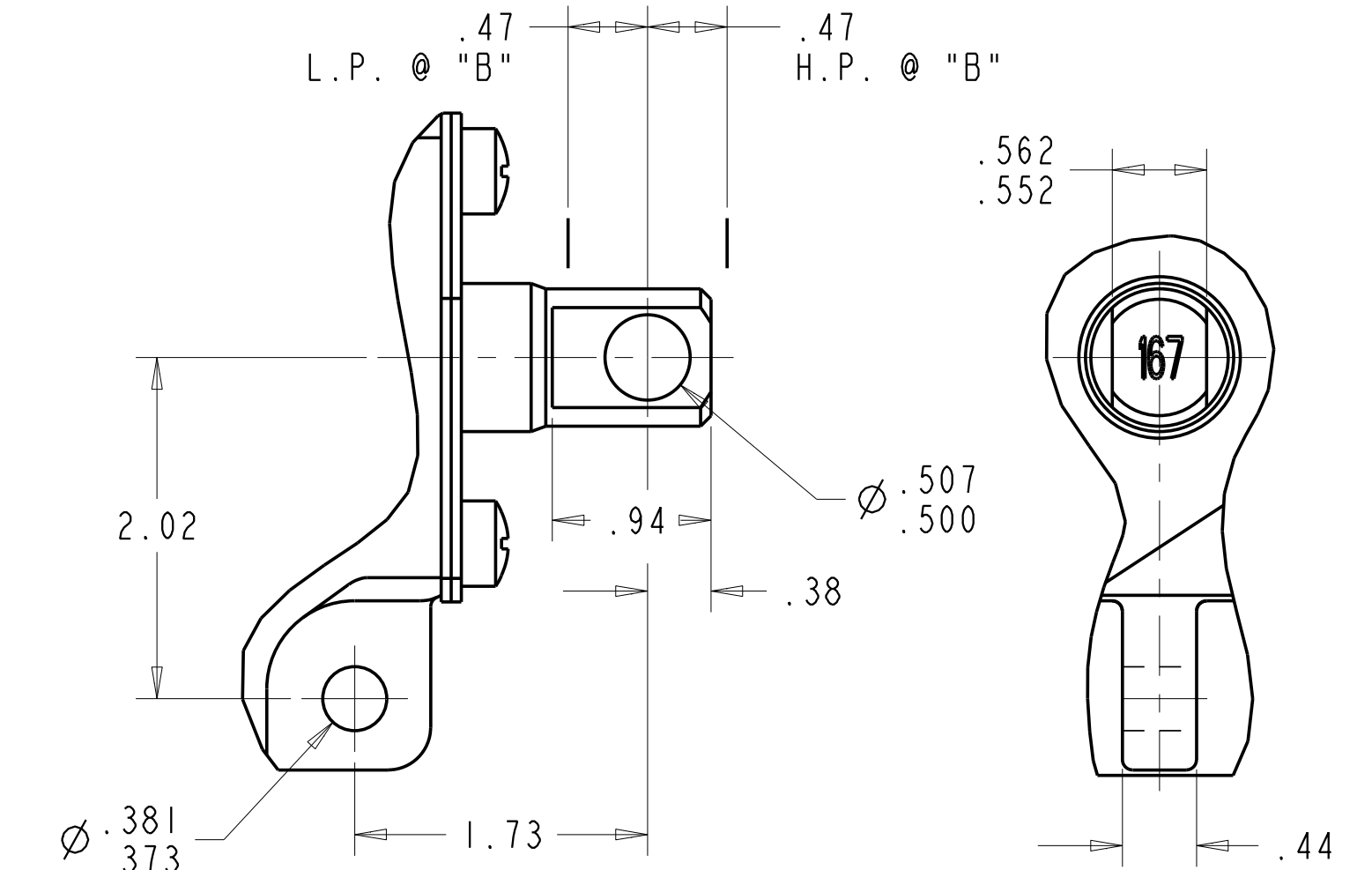
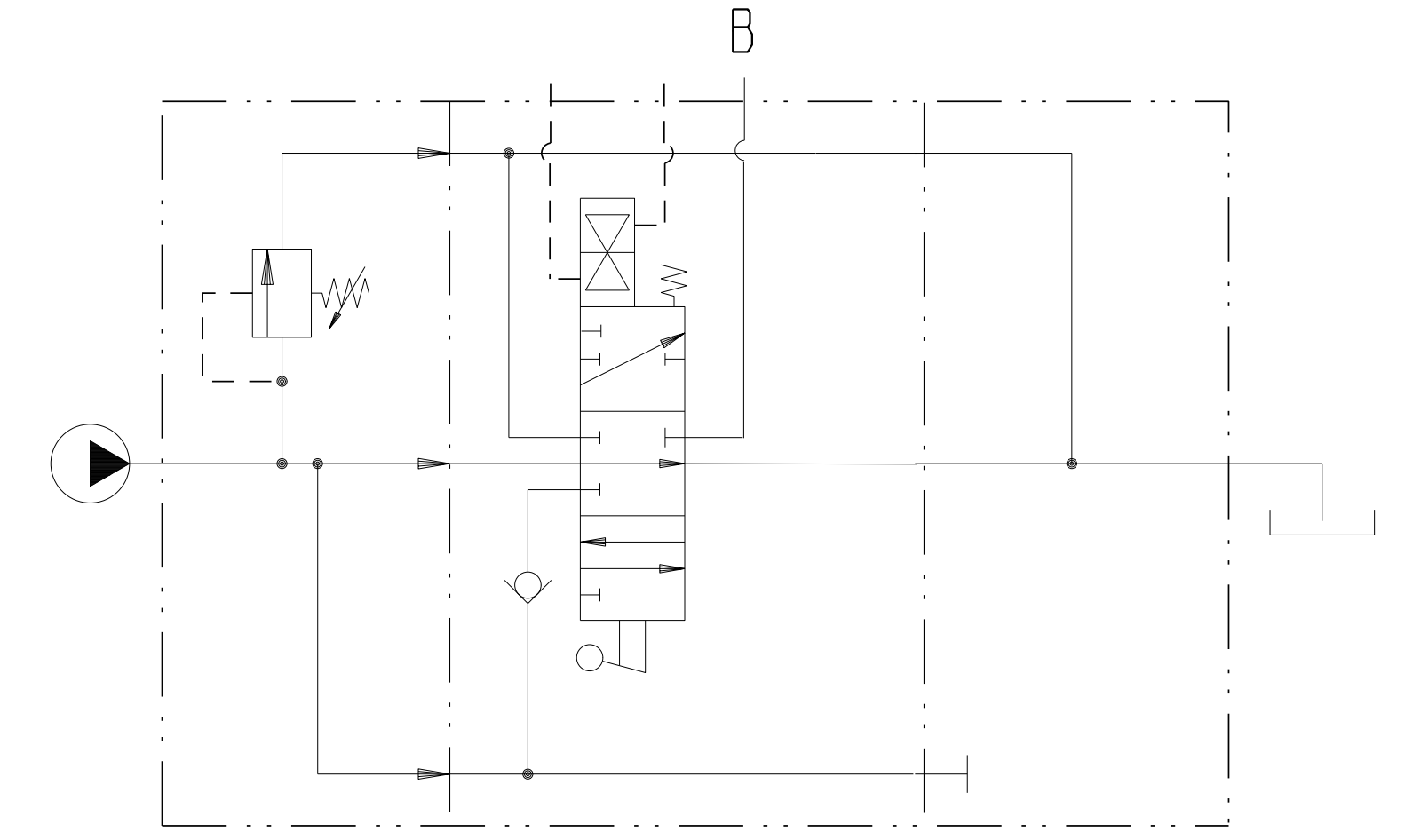
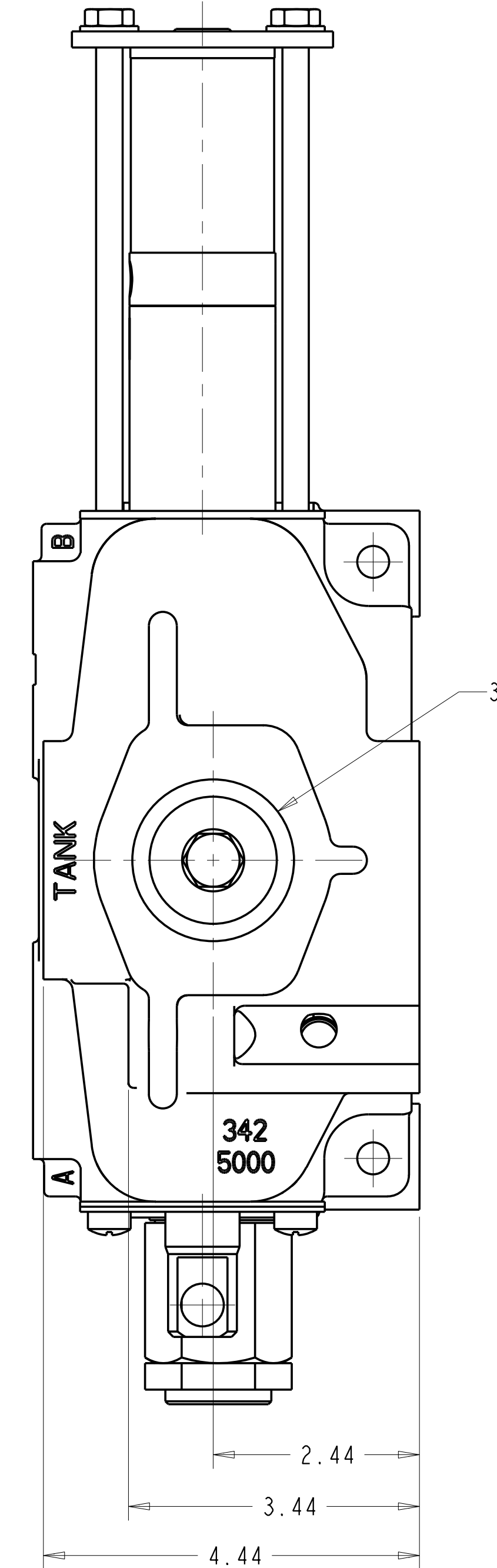
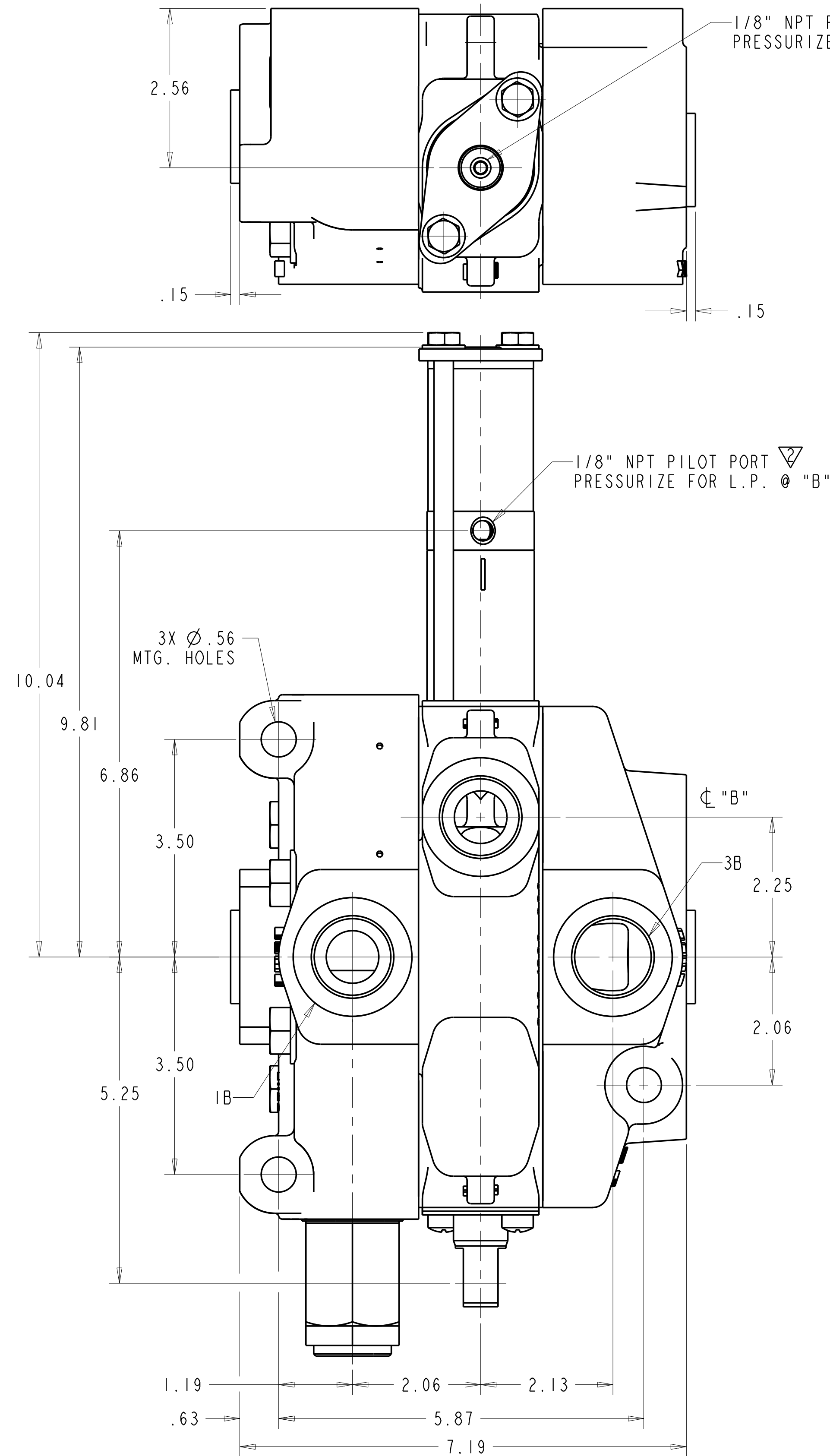
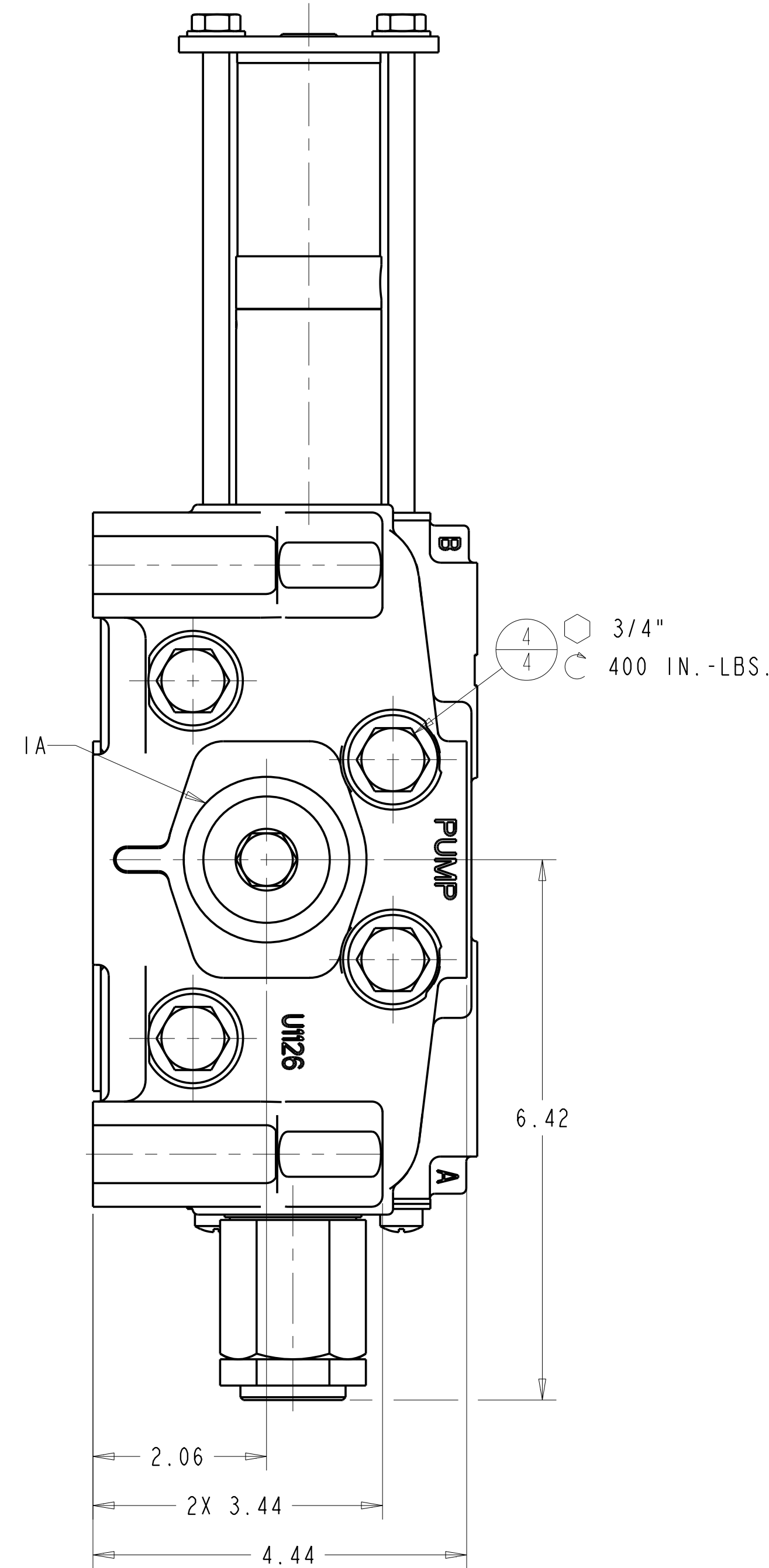


Engineering Your Success.

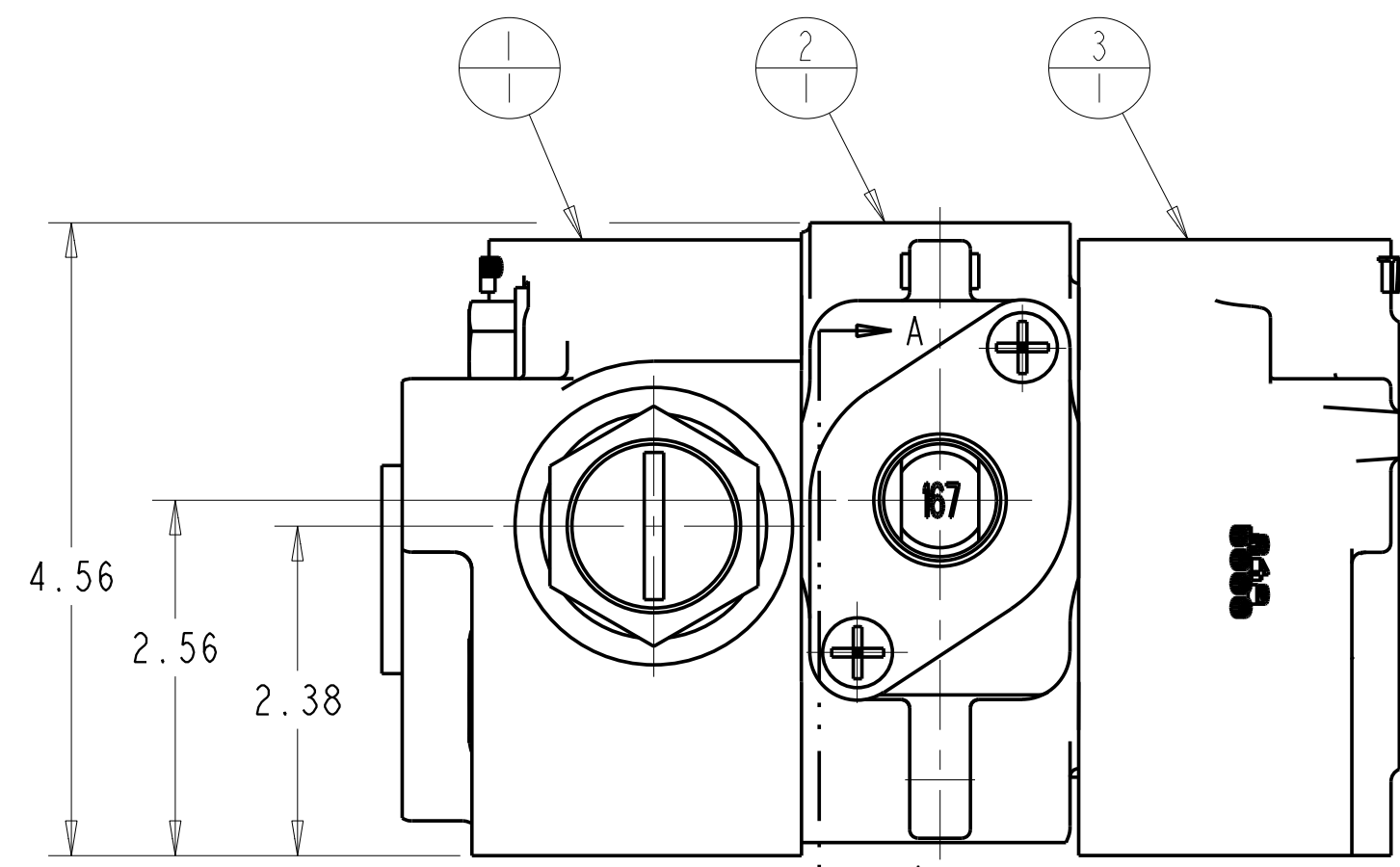
- WRENCH
- PHILLIPS SCREW
- SLOTTED SCREW
- HEX HEAD
- SOCKET HEAD
- TIGHTENING TORQUE
± 10 %
- LOCKING FLUID PER
ENGR'G STD 4.500.002
- OILED
- GREASED
- PARKER "O-LUBE"

NOTES:

- ▽ TEST VALVE PER SPEC., SAME PART NUMBER.
- ▽ SPOOL WILL START TO SHIFT AT 28 PSI AND WILL BE FULLY SHIFTED AT 90 PSI PILOT PRESSURE SHOULD NOT EXCEED 150 PSI



SECTION A-A
SCALE 1:1
ITEM #2



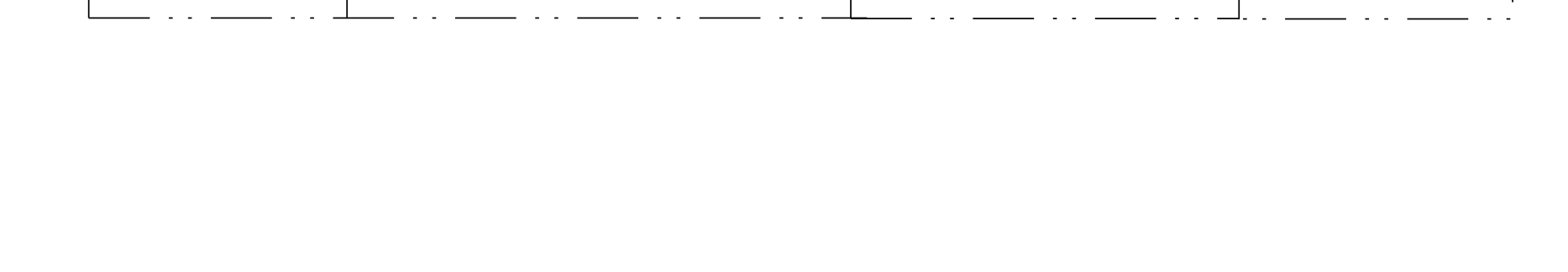
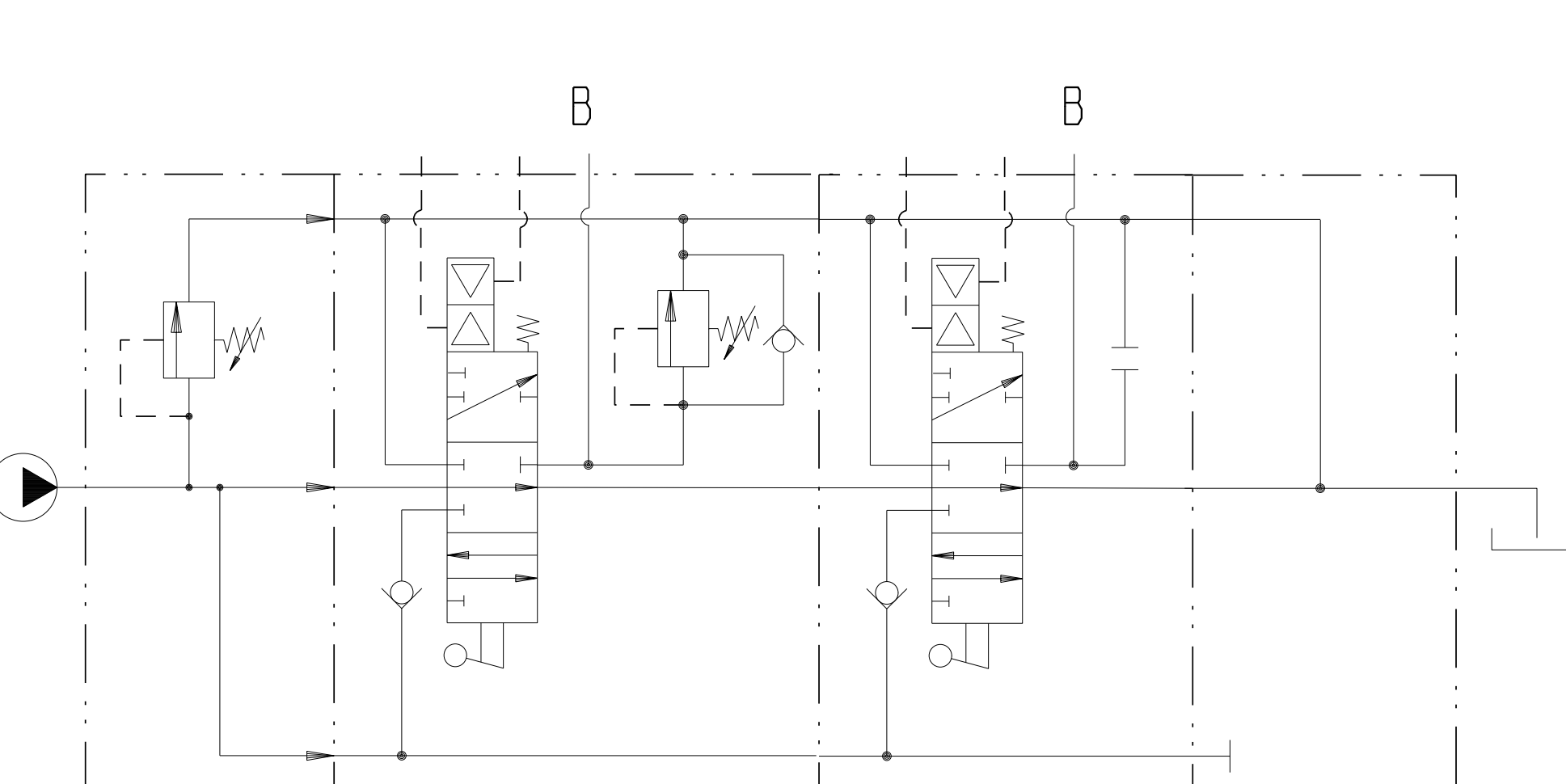
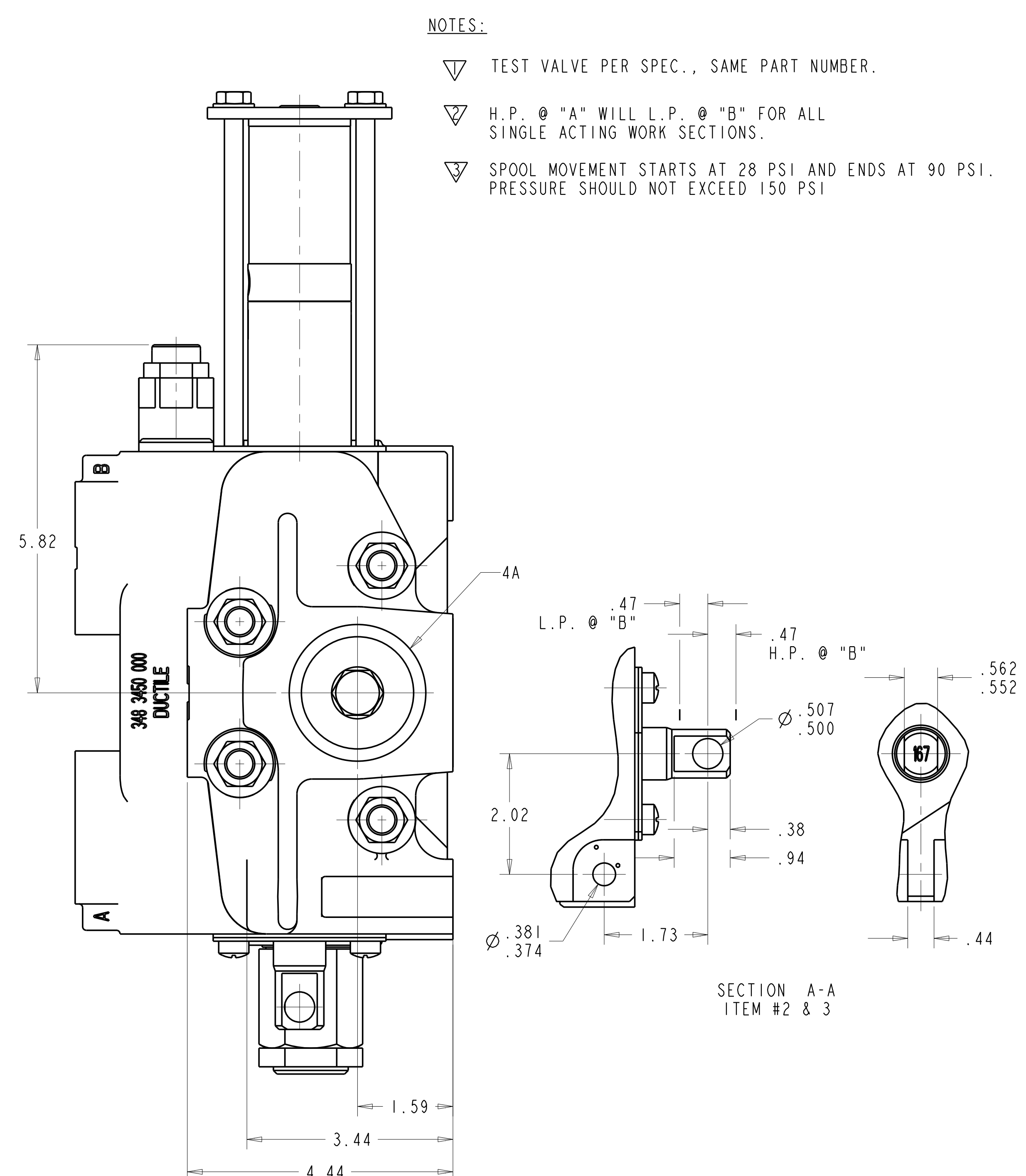
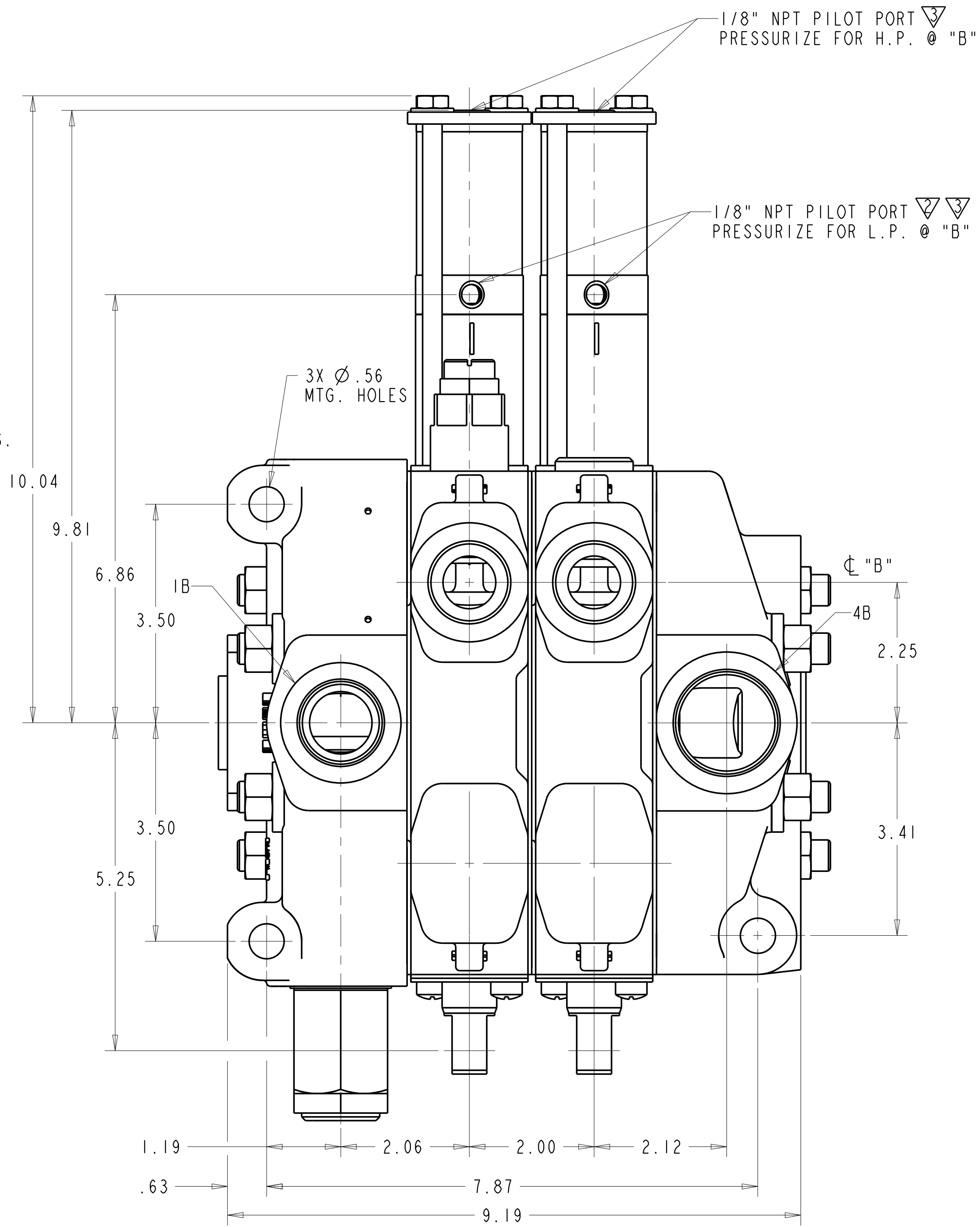
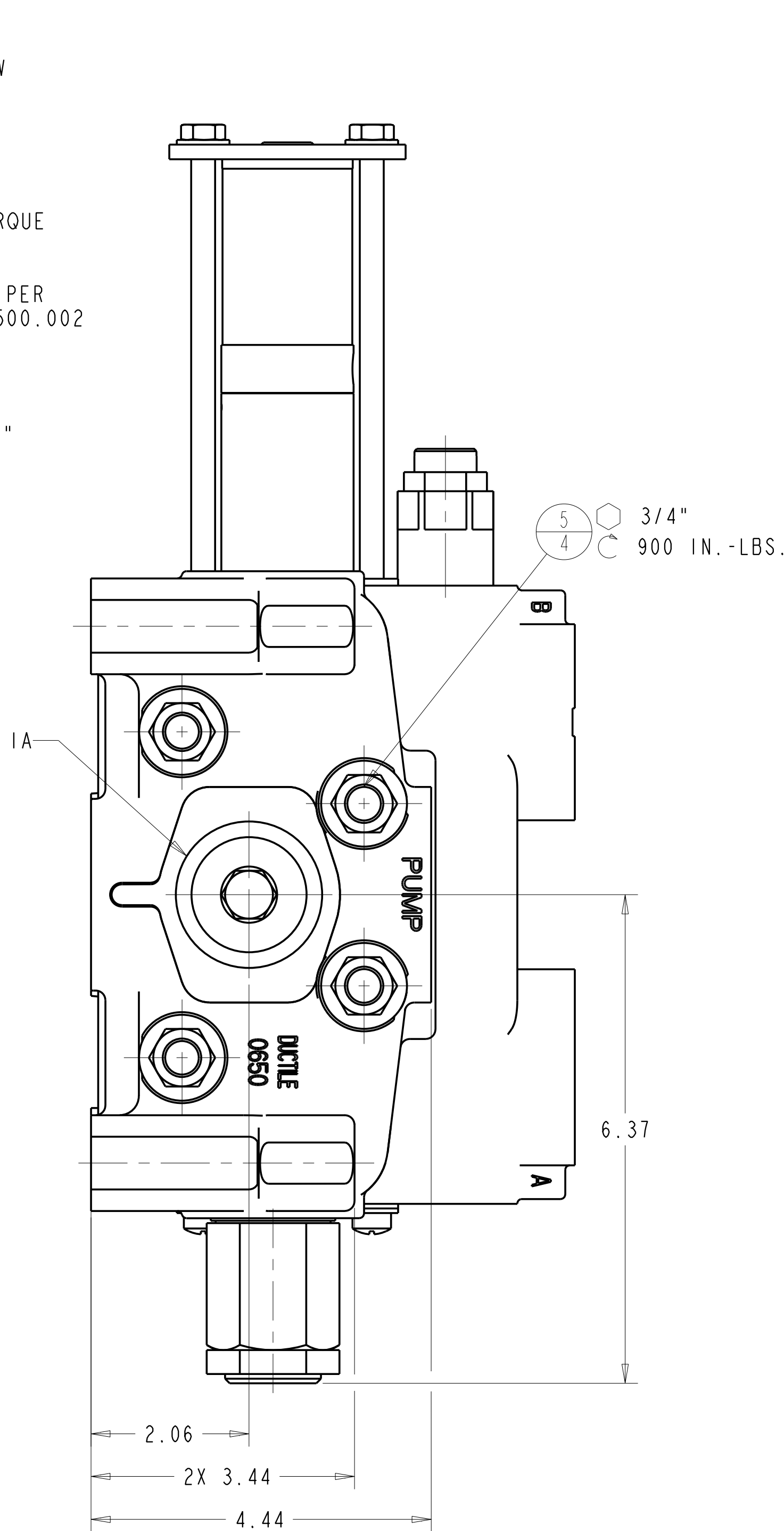
3B	TOP OUTLET PORT	SAE-20
3A	SIDE OUTLET PORT	SAE-20 (PLGD)
2	WORK PORTS	SAE-16
IB	TOP INLET PORT	SAE-16
IA	SIDE INLET PORT	SAE-16 (PLGD)
ITEM **PORTING CHART**		

1 MAIN R/V 2000±100 PSI @ 35 GPM			
355 9107 013			
ITEM	PORT "A"	PORT "B"	
** RELIEF VALVE SETTINGS CHART **			
4	391 9425 020	4	STUD ASSEMBLIES 5.00 LG
3	348 9106 211	1	VA35 OUTLET
2	348 9101 076	1	VA35-SV8 S/A PARA,CYL
1	348 9105 318	1	VA35-INLET
ITEM	PART NUMBER	REQD	DESCRIPTION

CUSTOMER	REQ'D ENGR'G STANDARDS	TOLERANCE UNLESS OTHERWISE SPECIFIED	TEMPERATURE	FINISH	DO NOT SCALE DRAWING						
	2.004.001	3 PLACE .XX .XIA ANGLE .XIA DIMENSIONS ARE INCH									
<small>THIS DOCUMENT CONTAINS INFORMATION THAT IS CONFIDENTIAL AND PROPRIETARY TO PARKER HANNIFIN CORPORATION. IT IS THE PROPERTY OF PARKER HANNIFIN CORPORATION AND IS NOT TO BE REPRODUCED OR TRANSMITTED IN ANY FORM OR BY ANY MEANS, ELECTRONIC OR MECHANICAL, INCLUDING PHOTOCOPYING, RECORDING, OR BY ANY INFORMATION STORAGE AND RETRIEVAL SYSTEM. WITHOUT THE WRITTEN PERMISSION OF PARKER HANNIFIN CORPORATION, NO PART OF THIS DOCUMENT IS TO BE REPRODUCED OR TRANSMITTED IN ANY FORM OR BY ANY MEANS, ELECTRONIC OR MECHANICAL, INCLUDING PHOTOCOPYING, RECORDING, OR BY ANY INFORMATION STORAGE AND RETRIEVAL SYSTEM.</small>											
REV	DATE	DRN	ECO NO.	DR BY	MSAT	DR DATE	090613	CHK BY	TS	CHK DATE	090613

RELEASE TO PRODUCTION
REVISION DESCRIPTION

- WRENCH
- PHILLIPS SCREW
- SLOTTED SCREW
- HEX HEAD
- SOCKET HEAD
- TIGHTENING TORQUE $\pm 10\%$
- LOCKING FLUID PER ENGR'G STD 4.500.002
- OILED
- GREASED
- PARKER "O-LUBE"



4B	TOP OUTLET PORT	SAE-20
4A	SIDE OUTLET PORT	SAE-20 (PLGD)
3	WORK PORTS	SAE-16
2	WORK PORTS	SAE-16
1B	TOP INLET PORT	SAE-16
1A	SIDE INLET PORT	SAE-16 (PLGD)
ITEM **PORTING CHART**		

3	NO ACCESSORY	R/V PLUG 391 2283 075
2	NO ACCESSORY	2000±100 PSI @ 10 GPM 355 9001 115
1	MAIN R/V	3000±100 PSI @ 35 GPM 355 9107 385
ITEM PORT "A" PORT "B"		
** RELIEF VALVE SETTINGS CHART **		
5	391 9425 045	4 STUD ASSEMBLIES 9.50 LG.
4	348 9106 309	1 VE35 LP OUTLET
3	348 9151 031	1 VG35-JV809-WK/SECT/SA/PNEU
2	348 9151 030	1 VG35-JV801-WK/SECT/SA/PNEU
1	348 9155 045	1 VG35-INLET

REV	DATE	DRN	ECO NO.	CUSTOMER	REQ'D ENGR'G STANDARDS	TOLERANCE UNLESS OTHERWISE SPECIFIED	REVISION	DESCRIPTION
1					2.004.001	3 PLACE .010 .015 .030 .050 .100 .150 .300 .500 1.000 2.000 3.000 5.000 10.000 30.000 50.000 100.000 300.000 500.000 1000.000 1500.000 3000.000		

391 9425 045	4	STUD ASSEMBLIES 9.50 LG.
348 9106 309	1	VE35 LP OUTLET
348 9151 031	1	VG35-JV809-WK/SECT/SA/PNEU
348 9151 030	1	VG35-JV801-WK/SECT/SA/PNEU
348 9155 045	1	VG35-INLET

RELEASE TO PRODUCTION
REVISION DESCRIPTION

Parker Hydraulics International Sales Offices

North America

Hydraulics Group Headquarters

6035 Parkland Boulevard
Cleveland, OH 44124-4141 USA
Tel: 216-896-3000
Fax: 216-896-4031

Parker Canada Division

160 Chisholm Drive
Milton, Ontario, L9T 3G9 Canada
Tel: 905-693-3000
Fax: 905-876-1958

Mexico

Parker Hannifin de México

Industrial Hydraulic Sales
Eje Uno Norte No. 100
Parque Industrial Toluca 2000
Toluca, Edo. de Mexico CP 50100
Tel: 52 72 2275 4200
Fax: 52 72 2279 9308

Europe

Hydraulics Group Headquarters

La Tuilière 6
CH-1163 Etoy, Switzerland
Tel: 41 21 821 8500
Fax: 41 21 821 8580

Latin America

Parker Hannifin Ind. e Com. Ltda Hydraulics Division

Av. Frederico Ritter, 1100
94930-000 Cachoeirinha RS, Brazil
Tel: 55 51 3470 9144
Fax: 55 51 3470 9215

Parker Hannifin Argentina S.A.I.C.

Stephenson 2711
1667-Tortuguitas-Malvinas Argentinas
Pcia. de Buenos Aires, Argentina
Tel: 54 3327 44 4129
Fax: 54 3327 44 4199

Pan American Division

7400 NW 19th Street, Suite A
Miami, FL 33126 USA
Tel: 305-470-8800
Fax: 305-470-8808

Industrial Sales

Central Region

1042 Maple Avenue
Unit 331
Lisle, IL 60532 USA
Tel: 630-964-0796

Great Lakes Region

6035 Parkland Boulevard
Cleveland, OH 44124-4141 USA
Tel: 216-896-3000
Fax: 216-896-4031

Gulf Region

20002 Standing Cypress Drive
Spring, TX 77379 USA
Tel: 817-473-4431
Fax: 888-227-9454

Southwest Region

700 S. 4th Avenue
Mansfield, TX 76063 USA
Tel: 817-473-4431
Fax: 888-227-9454

Mid Atlantic & Southeast Regions

1225 Old Alpharetta Rd
Suite 290
Alpharetta, GA 30005 USA
Tel: 770-619-9767
Fax: 770-619-9806

Midwest Region

8145 Lewis Road
Minneapolis, MN 55427 USA
Tel: 763-513-3535
Fax: 763-544-3418

Northeast Region

P.O. Box 396
Pine Brook, NJ 07058 USA
Tel: 973-227-2565
Fax: 973-227-2467

Northwest Region

6458 North Basin Avenue
Portland, OR 97217 USA
Tel: 503-283-1020
Fax: 866-611-7308

Pacific and Plains Region

8460 Kass Drive
Buena Park, CA 90621 USA
Tel: 714-228-2509
Fax: 714-228-2511

Mobile Sales

Mobile Sales Organization and Global Sales

850 Arthur Avenue
Elk Grove Village, IL 60007 USA
Tel: 847-258-6200
Fax: 847-258-6299

Asia Pacific

Parker Hannifin Shanghai Ltd.

280 Yunqiao Road,
Jin Qiao Export Processing Zone
Shanghai 201206, China
Tel: 86 21 2899 5000
Fax: 86 21 5834 8975

Parker Hannifin Hong Kong Ltd.

Suites 01-04, 20/F,
Tower 2, The Gateway,
Harbour City, Tsimshatsui,
Hong Kong
Tel: 852 2428 8008
Fax: 852 2480 4256

Parker Hannifin Korea Ltd.

18F KAMCO Yangjae Tower
949-3 Dogok1-dong, Gangnam-gu
Seoul, 135-860, Korea
Tel: 82 2 559 0408
Fax: 82 2 556 8187

Parker Hannifin India Pvt Ltd.

Plot No. EL-26, MIDC,
TTC Industrial Area
Mahape, Navi Mumbai, 400 709, India
Tel: 91 22 6513 7081
Fax: 91 22 2768 6841

Parker Hannifin Australia

Parker Hannifin Pty Ltd.
9 Carrington Road
Castle Hill, NSW 2154, Australia
Tel: 612 9634 7777
Fax: 612 9842 5111

South Africa

Parker Hannifin Africa Pty Ltd

10 Berne Avenue
Aeroporto
Kempton Park 1620,
Republic of South Africa
Tel: 19 610 700
Fax: 13 927 213

