

**Application**

The IQAN-TOC2 is a new task oriented controller in the IQAN product group. This unit is designed for ease of setup, weather resistance, and safety.

The TOC2 is a general purpose unit that can control two bi-directional valve sections or two cartridge solenoids simultaneously. The IQAN-TOC2 communicates with a variety of input and output devices. It has current mode (current closed-loop) or PWM mode (voltage open-loop) output for valve control. The analog inputs accept signals from joysticks or potentiometers. Two digital inputs can be used to read switches.



**Properties**

**Ease of setup**

The IQAN-TOC2 has a simple mechanical interface for calibration. With a preloaded personality from the factory, setup can be easily performed on the machine using a screwdriver. Adjustments possible include threshold, maximum output and slopes. The TOC2 may also be connected to a PC or Palm device and programmed using IQANdevelop software to change the functionality of the controller. This advanced feature allows the TOC2 to be used in more demanding applications.

**Weather resistance**

The housing is designed to be rugged, but light and has a sealed, automotive AMP junior-power timer connector. The IQAN-TOC2 has a membrane to prevent condensation inside the housing. This controller is designed for the outdoor environment.

**Safety**

The TOC2 is made using selected components and conforms to strict international requirements.

Diagnostics: If an error is detected an LED on the top of the controller flashes a sequence to indicate the nature of the error.

<b>Order code</b>	
<b>Example</b>	<b>IQAN-TOC2</b>
Unit type code	_____
Unit type code:	product description TOC2 - task oriented controller, 2 outputs

# Electronic Remote Controls IQAN-TOC2

## Technical Data

### General

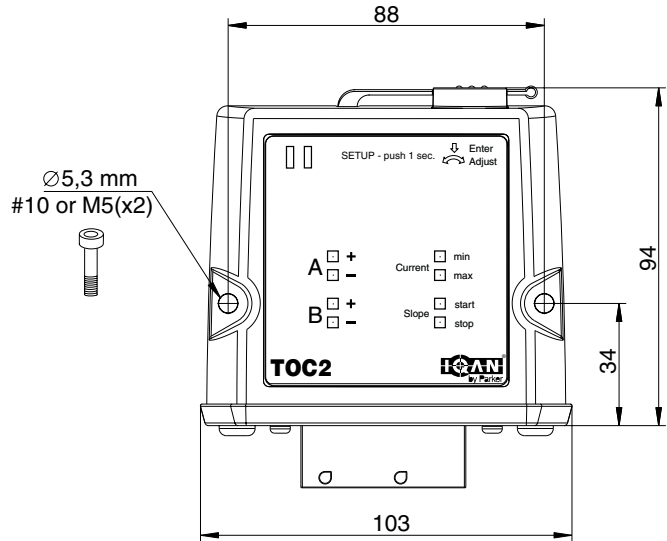
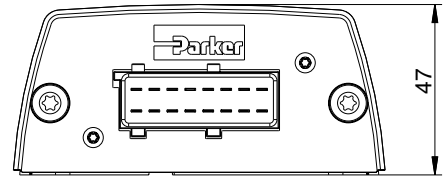
Weight	0.2 Kg
Operating temperature	-40 to +70 °C
Protection	outdoor use
Voltage supply	9 - 34 Vdc
Current consumption (idle)	60 mA (28 Vdc) 40 mA (14 Vdc)
Data interface	mechanical encoder or RS232 using IQANdevelop
VREF output	4.9 - 5.1Vdc, 30 mA (28V)

### Outputs

Current / PWM outputs	
Number	2 double
Type current mode	current - closed loop
PWM mode	voltage - open loop
Min. threshold	50 mA
Max. load	3000 mA
Dither frequency	25 - 333 Hz
Resolution	1 mA

### Inputs

Voltage inputs	
Number	2
Signal range	0 - 5 Vdc
Resolution	5 mV
Digital inputs	
Number	2
Signal high	4Vdc - V <sub>BAT</sub>
Signal low	0 - 1Vdc



unit = mm

## Environmental Protection

### EMI

- ISO 11452-2 (immunity vs EM field)
- ISO 14982 (radiated emission)
- ISO 11452-4 (immunity vs injected RF)
- ISO 7637-2,-3 (immunity vs supply transients)

### ESD

- EN 61000-4-2 (external)

### Mechanical environment

- IEC 68-2-64 Fh (random)
- IEC 68-2-29 Eb (bump)

### Climate environment

- IEC 68-2-18 Rb2 (water)
- IEC 68-2-30 Db (var1, damp, cyclic)
- IEC 68-2-3 Ca (damp, heat steady state)
- IEC 68-2-2 Bb (heat)
- IEC 68-2-1 Ab (cold)
- IEC 68-2-14 Nb (change of temperature)

### Chemical environment

- IEC 68-2-52 Kb (salt mist, cyclic)

For latest information visit our website [www.iqan.com](http://www.iqan.com)

Information in this data sheet is subject to change without notice.



**Parker Hannifin**  
Mobile Controls Division  
SE-435 33 Mölnlycke  
Sweden  
Tel +46 31 750 44 00  
Fax +46 31 750 44 21  
[www.parker.com](http://www.parker.com)

**Parker Hannifin**  
Mobile Controls Division  
203 Pine Street  
Forest City, NC 28043 USA  
Tel +1 828 245 3233  
Fax +1 828 248 9733

Catalogue HY17-8300/UK  
Ed. 0250