

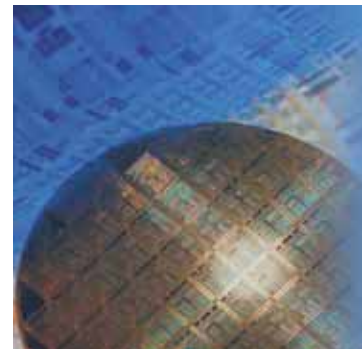


aerospace  
climate control  
electromechanical  
filtration  
fluid & gas handling  
**hydraulics**  
pneumatics  
process control  
sealing & shielding



# IQAN-LC5-X05 Input Devices

Electronic Control Systems



ENGINEERING YOUR SUCCESS.

**Application**

The IQAN-LC5-X05 is a large, coordinate joystick that incorporates ruggedness, functionality, light weight with high flexibility for mobile market applications. The unit is extremely robust, able to withstand aggressive conditions during outdoor use and in outdoor installations, including EMI, vibrations and a wide temperature range. The IQAN-LC5-X05 features a compact ergonomic design making it ideal for armrest and panel installations in mobile equipment. Fourth generation ICL4 type joysticks are easily replaced with the IQAN-LC5-X05.

**Design and function**

The mechanical life is greatly increased over previous generations of joysticks. Full stroke force “one time loading” in any direction is >100 Nm. The torsional strength has more than doubled, compared to the previous generation.

The IQAN-LC5-X05 is designed for outdoor use. The housing is rated IP65 above the flange, and has an integrated Deutsch transportation connector. The handle cable may be routed completely through the main, non-corrosive housing. This makes field mounting of new handles or replacing a bellow very easy to accomplish. In case of water ingress (i.e. a damaged bellow), the built-in drainage from this design will protect the electronics.

All proportional output signals are of contactless Hall effect type with dual sensors to provide redundancy for high safety and reliability. This make it easy for the application designer to meet high safety requirements functions by using IQAN software. The primary signal for each axis is 10%-90% of supply voltage. The corresponding secondary signal is 90%-10% of supply voltage.

The joystick has a heavy duty stem and tough base material for long life. The precise force configuration makes it easy to feel X and Y direction.

The IQAN-LC5-X05 is made using selected components and conforms to strict international requirements.

**General (Lever base)**

Weight	0.37 kg
Rated power supply (Vs)	5 Vdc
Load resistive (min.)	4.5kΩ
Load capacitive (max.)	1 μF
Current consumption	16 mA (5Vdc)

**Mechanical (Lever base)**

Angle of movement	±18°
Expected life (full stroke cycles)	5 million
Lever force in neutral, XY	0.6 Nm
Full actuated, XY direction	1.4 Nm
One time loading (max.)	100 Nm

**Environmental (Lever base)**

Temperature range	
Operating, ambient	-40 to +85° C
Storage, ambient	-40 to +100° C
Sealing, above flange (with sealed handle and bellow)	IP65

**Electrical (Lever base)**

Over voltage range	11Vdc @ 10 min.
--------------------	-----------------

**Connection**

Electrical connection	Deutsch DTM, 6 p.
-----------------------	-------------------

**Analog outputs**

Active range (Vdc out)	10%-90% V <sub>s</sub>
Resolution	<2 mV

**MP handle**

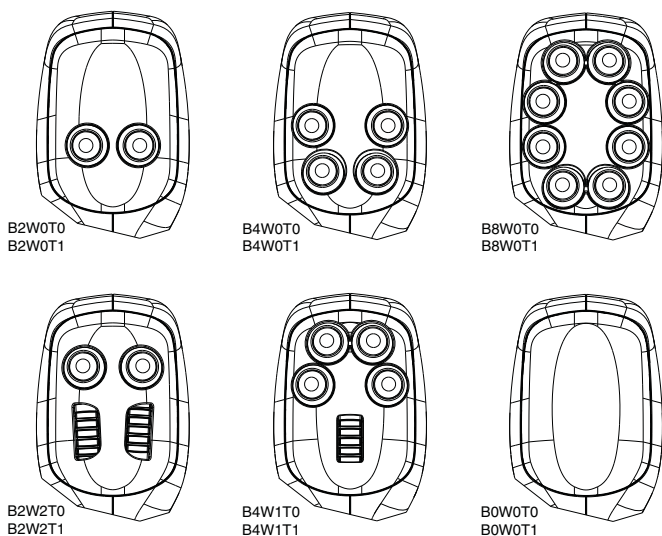
The MP handle option provides a variety of control interfaces in an ergonomic, multi-function handle that comfortably fits your hand. The handle is a robust design, able to withstand heavy use in outdoor installations, including exposure to a wide range of automotive chemicals. The MP features an ergonomic design making it ideal for repetitive motion functions during extended periods in mobile equipment applications. The handle has the capability to have a maximum of 8 buttons or 2 proportional thumb wheels in the faceplate. Combinations of buttons, thumb wheels, and trigger are also possible. The MP handle will be assembled to the IQAN-LC5-X05 base, and the cables are routed through the base. The push buttons and thumb wheel are easily connected to the vehicle wire harness by a Deutsch DTM connector.

**Design and function**

The MP handle is made to fit either the right or left hand, reducing inventory part numbers. The options are flexible and include many combinations of buttons, thumbwheels, and trigger to satisfy virtually any operator interface requirements. The buttons are large, and have a nice tactile feel. The proportional thumb wheel has dual sensors providing 2 crossed outputs that may be compared in IQAN modules for safe operation.

The MP handle is designed for outdoor use. The buttons and thumb wheels are rated for the outdoor environment. The design makes field mounting of new handles very easy to accomplish.

**MP standard faceplate configurations**



**General (handle)**

Weight .25 kg  
 Temperature range -40 to +85° C  
 Sealing outdoor use

**Buttons/Trigger**

Expected life (electrical) 0.5 million  
 Expected life (mechanical) 1 million  
 Travel 1.5 mm  
 Actuating force 2 - 5 Nm  
 Switching current (max) 400 mA, 32 VAC, resistive load

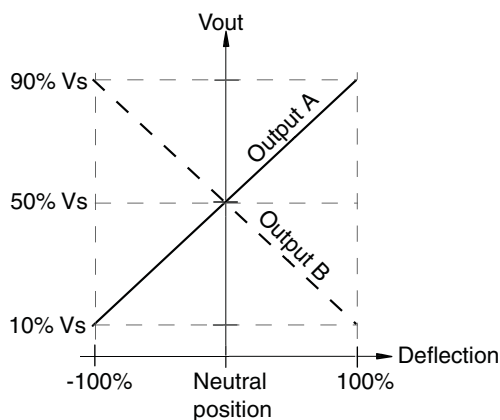
**Thumb wheel**

Rated power supply (Vs) 5 Vdc  
 Load resistive (min) 4.5 kΩ  
 Load capacitive (max) 1 uF  
 Current consumption (typ) 16 mA  
 Analog output active range (Vout) 10%-90% Vs  
 Resolution < 2 mV  
 Angle of movement ± 25 degrees  
 Expected life (operations) 5 million

**Connection**

B0W0T1/ B2W0T0 / B2W0T1 Deutsch DTM, 6 p.  
 B4W0T0  
 B4W0T1/ B4W2Tx / B2W4Tx Deutsch DTM, 12 p.  
 B8W0Tx

**Deflection vs. output diagram**



**Model code**

**IQAN - LC5 - X05 - MP B2 W0 T0**

Code	Description
L	lever
C	co-ordinate
5	fifth generation

Code	Description
X	Crossed outputs
0	0 VDC min range
5	5 VDC max range

Code	Description
T0	no trigger
T1	1 trigger

Code	Description
U1	no handle, without bellow
U2	no handle, with bellow, Ø40mm [Ø1.57"]
H1	Handle, ball knob, Ø50mm [Ø1.97"]
MP	multi-purpose, see handle options

Code	Description
W0	no thumbwheel
W1	1 thumbwheel
W2	2 thumbwheels

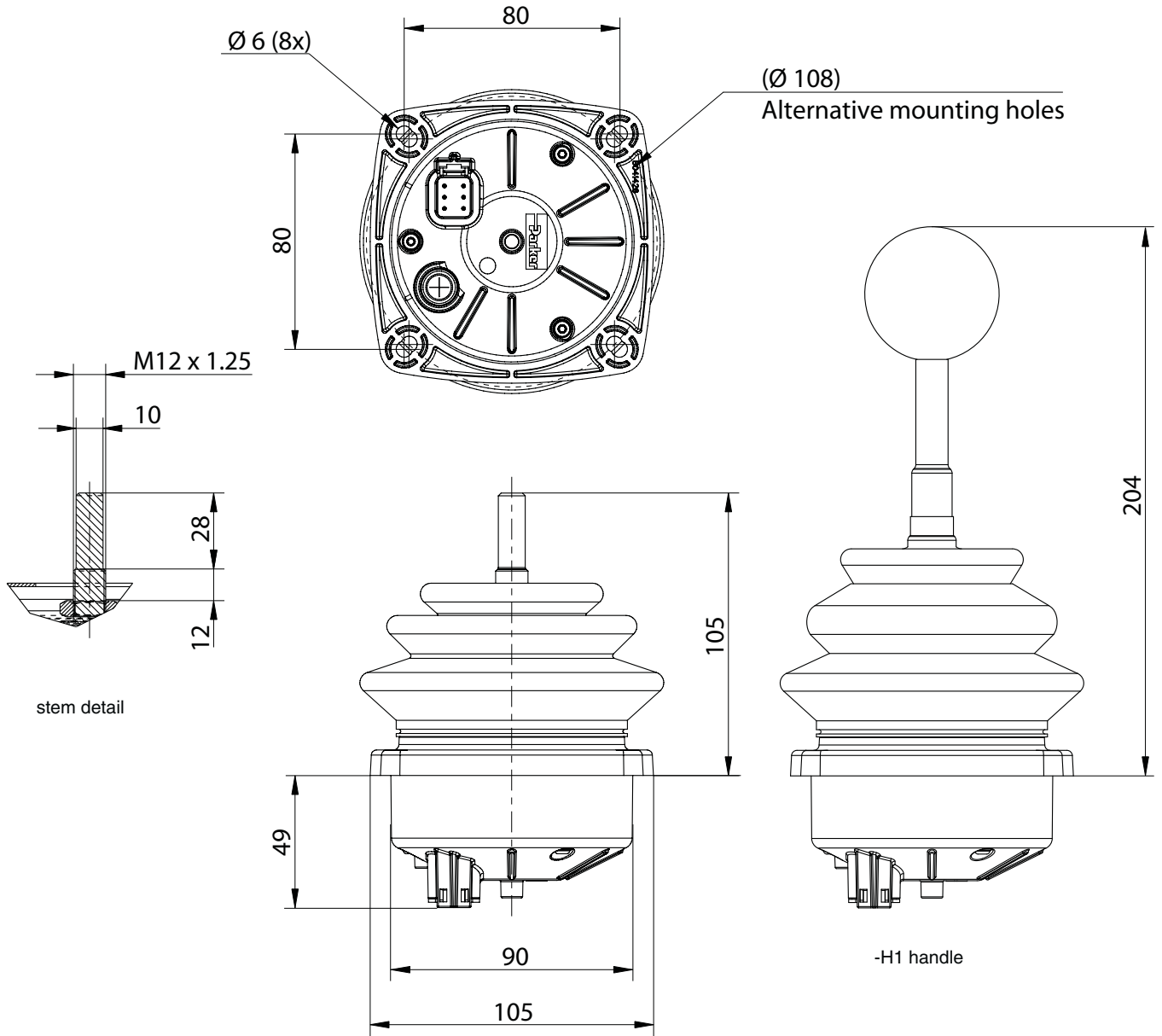
Code	Description
B0	no buttons
B2	2 buttons
B4	4 buttons
B8	8 buttons

**Ordering part numbers**

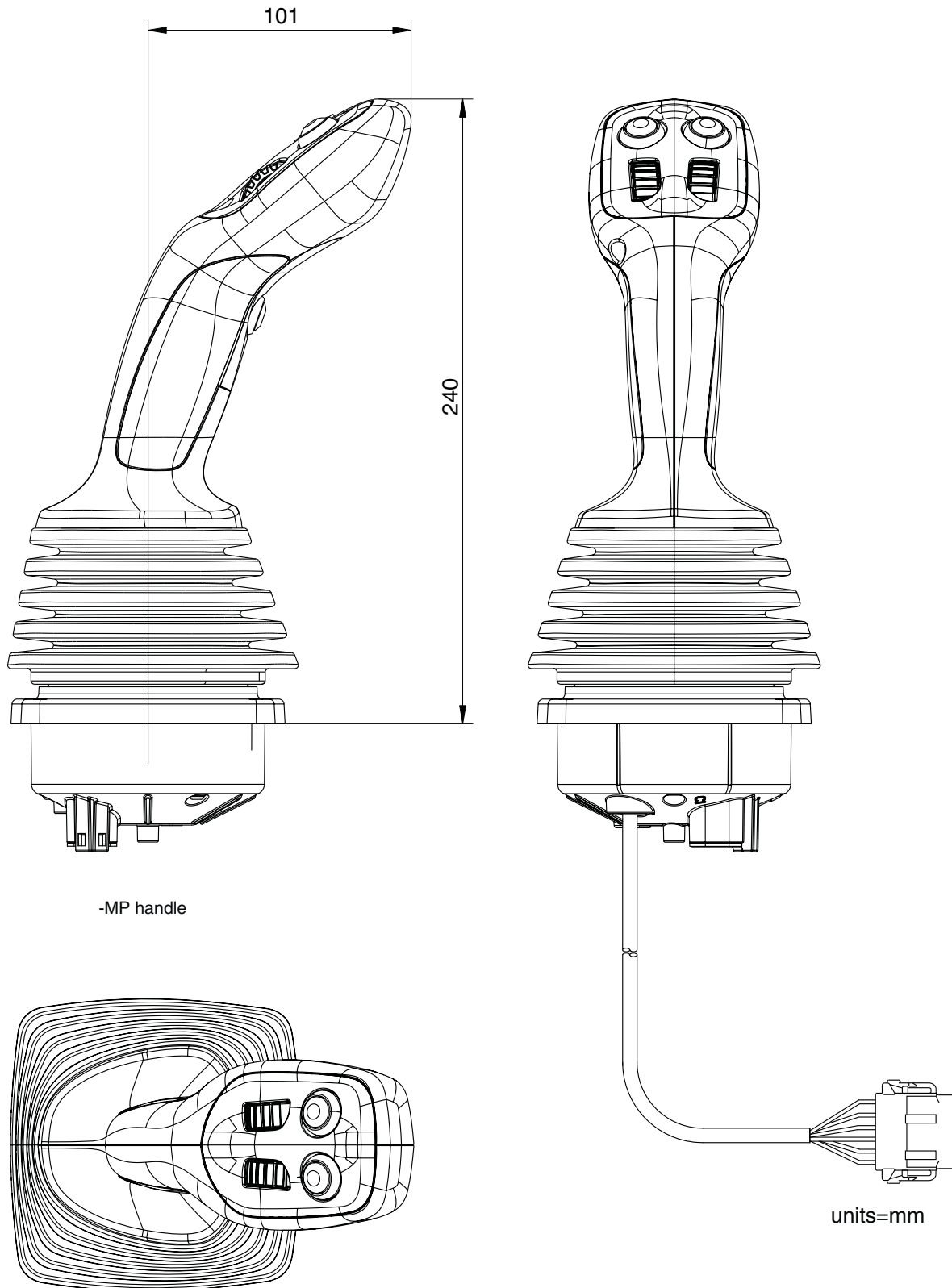
IQAN-LC5-X05-U1	20076317
IQAN-LC5-X05-U2	20076318
IQAN-LC5-X05-H1	20076319

**Ordering part numbers**

IQAN-LC5-X05-MPB0W0T0	20077721
IQAN-LC5-X05-MPB0W0T1	20077722
IQAN-LC5-X05-MPB2W0T0	20076320
IQAN-LC5-X05-MPB2W0T1	20076321
IQAN-LC5-X05-MPB2W2T0	20076322
IQAN-LC5-X05-MPB2W2T1	20076323
IQAN-LC5-X05-MPB4W0T0	20076324
IQAN-LC5-X05-MPB4W0T1	20076325
IQAN-LC5-X05-MPB4W1T0	20076326
IQAN-LC5-X05-MPB4W1T1	20076327
IQAN-LC5-X05-MPB8W0T0	20076328
IQAN-LC5-X05-MPB8W0T1	20076329



units=mm



### Environmental Protection

#### EMI

ISO 13766/ISO 14982 (radiated emission)  
EN 55025:2003 (conducted emission)  
ISO 11452-4:2005 (conducted susceptibility)  
ISO 11452-2:2004 (radiated susceptibility)  
ISO 7637-3:2007 (immunity vs supply transients)

#### ESD

ISO 10605:2001, (Handling)

#### Climate Environment

IEC 60529:2001 IP65 (water)<sup>1</sup>  
IEC 60068-2-78:2001 (damp heat, steady state)  
IEC 60068-2-30 :1985 Db (var1,damp,cyclic)  
IEC 60068-2-14:1984 Nb (change of temp.)  
IEC 60068-2-2:1993 Bb (dry heat)  
IEC 60068-2-1:1993 Ab (cold)

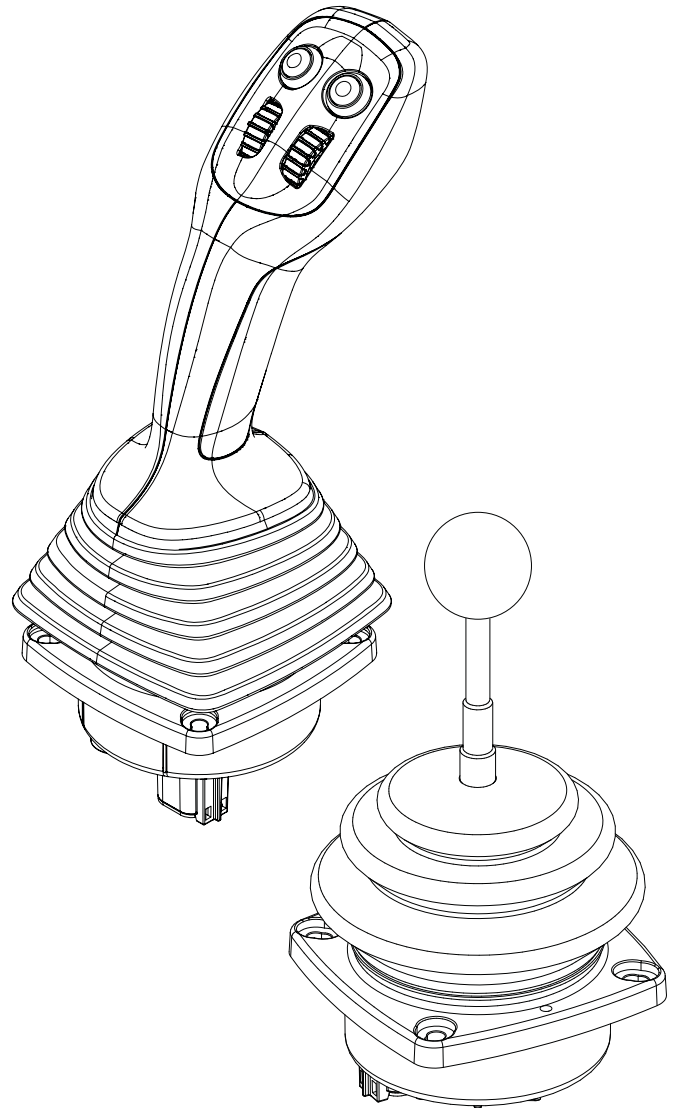
#### Mechanical

IEC 60068-2-29:1987 Eb (bump)  
IEC 60068-2-64:1993 Fh, Fh (random vibration)

#### Chemical environment

IEC 60068-2-52:1996 Kb (salt,mist,cyclic)

<sup>1</sup> with sealed handle and bellow.



## **WARNING**

**FAILURE OR IMPROPER SELECTION OR IMPROPER USE OF THE PRODUCTS AND/OR SYSTEMS DESCRIBED HEREIN OR RELATED ITEMS CAN CAUSE DEATH, PERSONAL INJURY AND PROPERTY DAMAGE.**

This document and other information from Parker Hannifin Corporation, its subsidiaries and authorized distributors provide product and/or system options for further investigation by users having technical expertise. It is important that you analyze all aspects of your application, including consequences of any failure, and review the information concerning the product or system in the current product catalogue. Due to the variety of operating conditions and applications for these products or systems, the user, through its own analysis and testing, is solely responsible for making the final selection of the products and systems and assuring that all performance, safety and warning requirements of the application are met.

The products described herein, including without limitation, product features, specifications, designs, availability and pricing, are subject to change by Parker Hannifin Corporation and its subsidiaries at any time without notice.

## **Offer of Sale**

Please contact your Parker representation for a detailed "Offer of Sale".

# Parker Worldwide

**AE – UAE, Dubai**  
Tel: +971 4 8127100  
parker.me@parker.com

**AR – Argentina, Buenos Aires**  
Tel: +54 3327 44 4129

**AT – Austria, Wiener Neustadt**  
Tel: +43 (0)2622 23501-0  
parker.austria@parker.com

**AT – Eastern Europe, Wiener Neustadt**  
Tel: +43 (0)2622 23501 900  
parker.easteurope@parker.com

**AU – Australia, Castle Hill**  
Tel: +61 (0)2-9634 7777

**AZ – Azerbaijan, Baku**  
Tel: +994 50 2233 458  
parker.azerbaijan@parker.com

**BE/LU – Belgium, Nivelles**  
Tel: +32 (0)67 280 900  
parker.belgium@parker.com

**BR – Brazil, Cachoeirinha RS**  
Tel: +55 51 3470 9144

**BY – Belarus, Minsk**  
Tel: +375 17 209 9399  
parker.belarus@parker.com

**CA – Canada, Milton, Ontario**  
Tel: +1 905 693 3000

**CH – Switzerland, Etoy**  
Tel: +41 (0) 21 821 87 00  
parker.switzerland@parker.com

**CL – Chile, Santiago**  
Tel: +56 2 623 1216

**CN – China, Shanghai**  
Tel: +86 21 2899 5000

**CZ – Czech Republic, Klecany**  
Tel: +420 284 083 111  
parker.czechrepublic@parker.com

**DE – Germany, Kaarst**  
Tel: +49 (0)2131 4016 0  
parker.germany@parker.com

**DK – Denmark, Ballerup**  
Tel: +45 43 56 04 00  
parker.denmark@parker.com

**ES – Spain, Madrid**  
Tel: +34 902 330 001  
parker.spain@parker.com

**FI – Finland, Vantaa**  
Tel: +358 (0)20 753 2500  
parker.finland@parker.com

**FR – France, Contamine s/Arve**  
Tel: +33 (0)4 50 25 80 25  
parker.france@parker.com

**GR – Greece, Athens**  
Tel: +30 210 933 6450  
parker.greece@parker.com

**HK – Hong Kong**  
Tel: +852 2428 8008

**HU – Hungary, Budapest**  
Tel: +36 1 220 4155  
parker.hungary@parker.com

**IE – Ireland, Dublin**  
Tel: +353 (0)1 466 6370  
parker.ireland@parker.com

**IN – India, Mumbai**  
Tel: +91 22 6513 7081-85

**IT – Italy, Corsico (MI)**  
Tel: +39 02 45 19 21  
parker.italy@parker.com

**JP – Japan, Fujisawa**  
Tel: +(81) 4 6635 3050

**KR – South Korea, Seoul**  
Tel: +82 2 559 0400

**KZ – Kazakhstan, Almaty**  
Tel: +7 7272 505 800  
parker.easteurope@parker.com

**LV – Latvia, Riga**  
Tel: +371 6 745 2601  
parker.latvia@parker.com

**MX – Mexico, Apodaca**  
Tel: +52 81 8156 6000

**MY – Malaysia, Shah Alam**  
Tel: +60 3 7849 0800

**NL – The Netherlands, Oldenzaal**  
Tel: +31 (0)541 585 000  
parker.nl@parker.com

**NO – Norway, Asker**  
Tel: +47 66 75 34 00  
parker.norway@parker.com

**NZ – New Zealand, Mt Wellington**  
Tel: +64 9 574 1744

**PL – Poland, Warsaw**  
Tel: +48 (0)22 573 24 00  
parker.poland@parker.com

**PT – Portugal, Leca da Palmeira**  
Tel: +351 22 999 7360  
parker.portugal@parker.com

**RO – Romania, Bucharest**  
Tel: +40 21 252 1382  
parker.romania@parker.com

**RU – Russia, Moscow**  
Tel: +7 495 645-2156  
parker.russia@parker.com

**SE – Sweden, Spånga**  
Tel: +46 (0)8 59 79 50 00  
parker.sweden@parker.com

**SG – Singapore**  
Tel: +65 6887 6300

**SK – Slovakia, Banska Bystrica**  
Tel: +421 484 162 252  
parker.slovakia@parker.com

**SL – Slovenia, Novo Mesto**  
Tel: +386 7 337 6650  
parker.slovenia@parker.com

**TH – Thailand, Bangkok**  
Tel: +662 717 8140

**TR – Turkey, Istanbul**  
Tel: +90 216 4997081  
parker.turkey@parker.com

**TW – Taiwan, Taipei**  
Tel: +886 2 2298 8987

**UA – Ukraine, Kiev**  
Tel: +380 44 494 2731  
parker.ukraine@parker.com

**UK – United Kingdom, Warwick**  
Tel: +44 (0)1926 317 878  
parker.uk@parker.com

**US – USA, Cleveland (industrial)**  
Tel: +1 216 896 3000

**US – USA, Lincolnshire (mobile)**  
Tel: +1 847 821 1500

**VE – Venezuela, Caracas**  
Tel: +58 212 238 5422

**ZA – South Africa, Kempton Park**  
Tel: +27 (0)11 961 0700  
parker.southafrica@parker.com



## European Product Information Centre

Free phone: 00 800 27 27 5374  
(from AT, BE, CH, CZ, DE, EE, ES, FI, FR, IE, IL, IS, IT, LU, MT, NL, NO, PT, SE, SK, UK)

## US Product Information Centre

Free phone: 1-800-27 27 537  
www.parker.com