

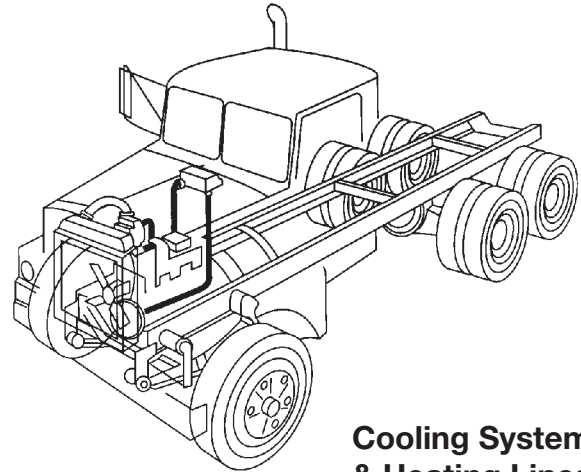
## Parker System Coverage:

Complete system coverage—this is what the Parker name means to the transportation and mobile equipment industry today.

Designed and engineered for nearly all heavy-duty truck and mobile equipment applications, Parker system coverage includes:

- Cooling and heating systems
- Air intake system
- Power steering systems
- Air-conditioning systems
- Cab tilt system
- Air systems (air brake, secondary air systems, tractor/trailer connections)
- Fuel and Lube systems
- Hydrostatic circuits
- Non-conductive applications on aerial lift trucks
- Hydraulic systems in general on mobile equipment

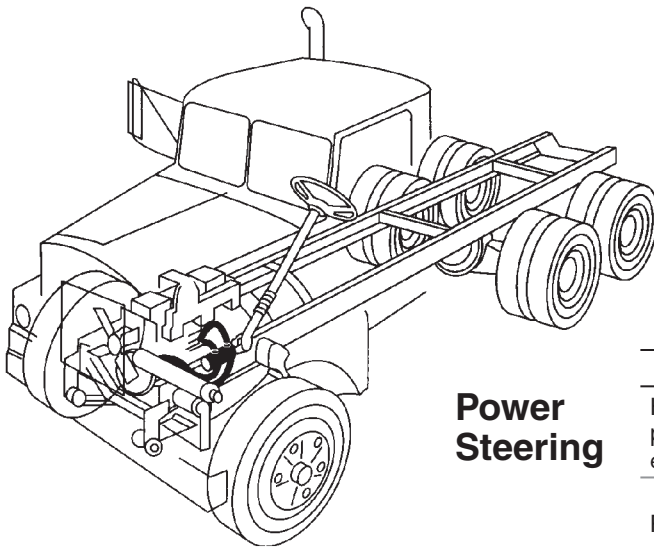
Because of their consistent quality and complete system coverage, Parker products have become the standard to the trucking and mobile equipment industry.



**Cooling System & Heating Lines**

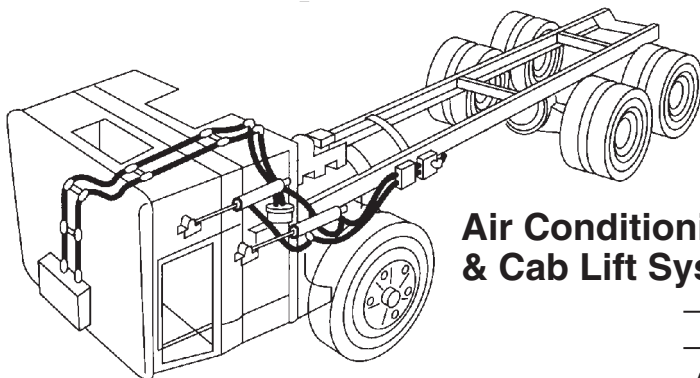
Application	Recommended
Cooling Systems and Heating lines	293 or 848 hose; Coolant Hose: Series 6621, 6623, 7395; Heater Hose: Series 6722, 6723, 6724, 6750, 6751, 7181, 7186

(Antifreeze at low pressure)



**Power Steering**

Application	Recommended
Hydraulic oil up to 2500 psi (High temp. sometimes exists)	201, 206, 266PKR and 20 Series fittings; 426 or 436 hose and 43 Series fittings
Return line (No pressure)	261, 293 & 213PKR hose; Series 7399 (non-SAE hose); PD couplers



**Air Conditioning & Cab Lift Systems**

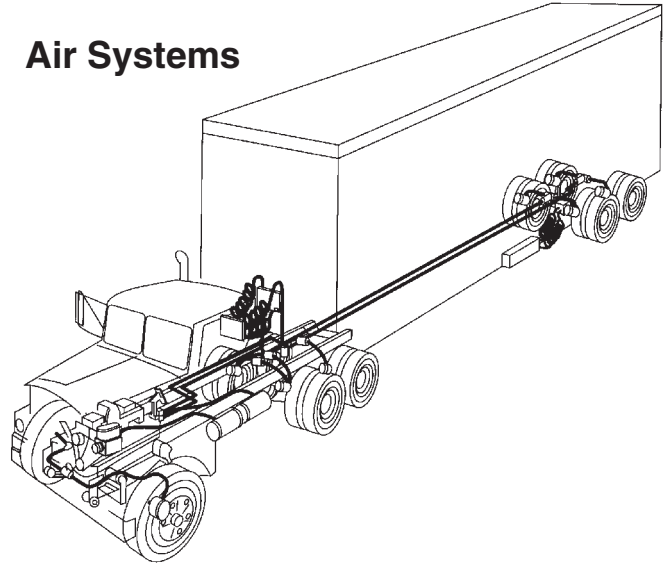
Application	Recommended
Air conditioning (Freon 12)	1/8" 60 Series quick couplings
Air conditioning (Freon 134A)	285 hose and 26 Series crimp fittings
Cab TILT System (Hydraulic oil up to 2000 psi)	201, 540N-4 hose and 20 & 55 Series fittings

Dimensions and pressures are for reference only and are subject to change.

## Air Brake

Application	Recommended
Mainline piping on chassis (Compressed air 80-120 psi)	201 or 213 hose and fittings; 271 hose and fittings; 1120 Air Brake tubing and NTA fittings; PFT tubing; PMT, PTC and NTA fittings
Complete chassis air brake system except compressor line	201 and 293 hose and 26 Series crimp fittings; 1120 Air Brake tubing and NTA fittings
Compressor discharge to storage tank (Hot compressed air to 120 psi & 400° F)	919 Teflon hose and 90 Series reusable fittings or 91N Series crimp fittings

## Air Systems



## Tractor to Trailer

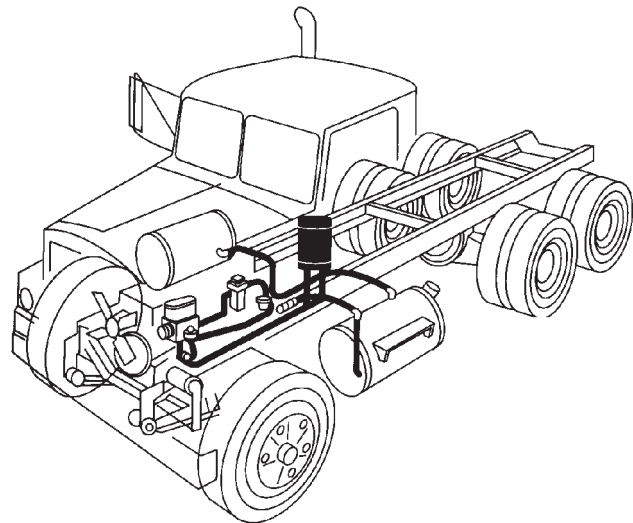
Application	Recommended
Valve on cab (Compressed air 80-120 psi)	Brakcoil® 731516 or 751641
Valve low on cab at frame rail level or remote from cab (Compressed air 80-120 psi)	Brakcoil® 731522 (With pogo stick or spring hanger)

## Secondary Air Systems

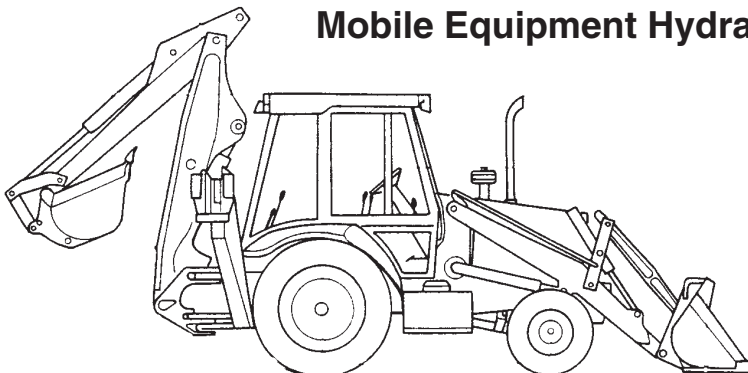
Application	Recommended
Shutter Stat, Windshield, wipers, horn, shift system, etc.	1120 Air Brake tubing; NTA, PMT, PTC and PLP fittings

## Fuel & Lube Systems

Application	Recommended
Fuel Lines (Hose compatible with diesel fuel-low pressure some suction)	201 or 293 hose and 26 Series crimp fittings, or 201 hose and Series 389, 395, 397 hose; HTFL tubing and NTA fittings
Lube Filter System (Lube oil can reach 230° F-high temp. 300° hose should be used)	20 Series reusable fittings



## Mobile Equipment Hydraulic Systems



Application	Recommended
Hydrostatic circuits Pressure over 4000 psi	772ST or 782ST hose and 71 or 78 Series fittings; for 2" six-wire hose use P35-32 hose S6 Series fittings
All other hydraulic functions Pressures typically less than 3000 psi	302, 436, or 451ST hose and 43 Series fittings; 520N, 590, D6R hose and 56 Series fittings; for non-conductive applications use 518C hose and 55 Series fittings

Dimensions and pressures are for reference only and are subject to change.